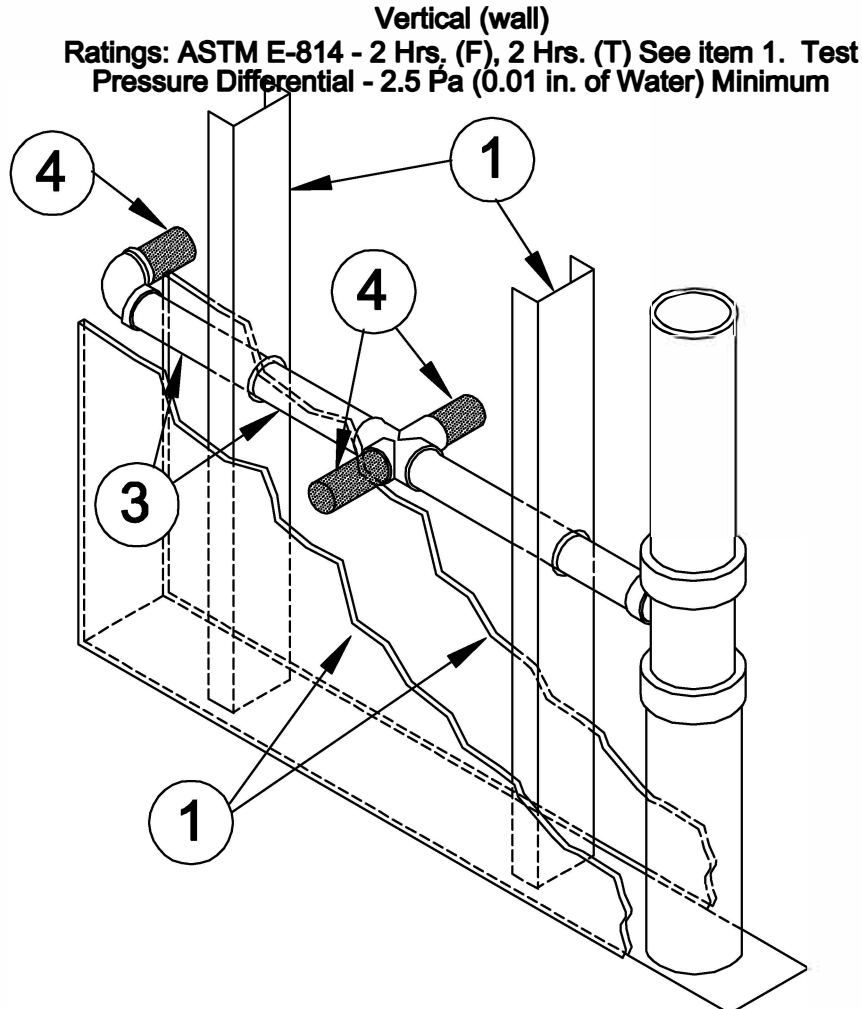


FIRESTOP SYSTEMS

ProSet Systems, Inc.

1355 Capital Circle Lawrenceville, GA 30043-5866 U.S.A.

Design No. PS/PV 120-02



1. Wall:

Gypsum board / steel or wood stud wall, with minimum 2-1/2" cavity width, having a one- or two-hour fire rating.

2. Pipe Support: (not shown)

Pipe shall be supported on both sides of the wall assembly by connecting to a trap adapter and/or trap connecting to the lavatory or sink fixture.

3. Pipe Material:

Nominal 1-1/2" diameter PVC, ABS Schedule 40 or cellular core pipe connected to a nom 3" vertical stack. Pipe to be rigidly supported within the cavity of the wall.

4. Firestop Device:

ProSet P-90 fire rated 1-1/2" PVC pipe*. The P-90 pipe passes through a 2" diameter hole cut through a gypsum wall. Gaps from 1/4" to 1/2" can be sealed with drywall joint compound. Gaps over 1/2" must be sealed with a silicone firestop sealant applied to the full depth of the membrane.

*** Component Bearing the Warnock Hersey International Certification Mark.**