

# FIRESTOP SYSTEMS

## ProSet Systems, Inc.

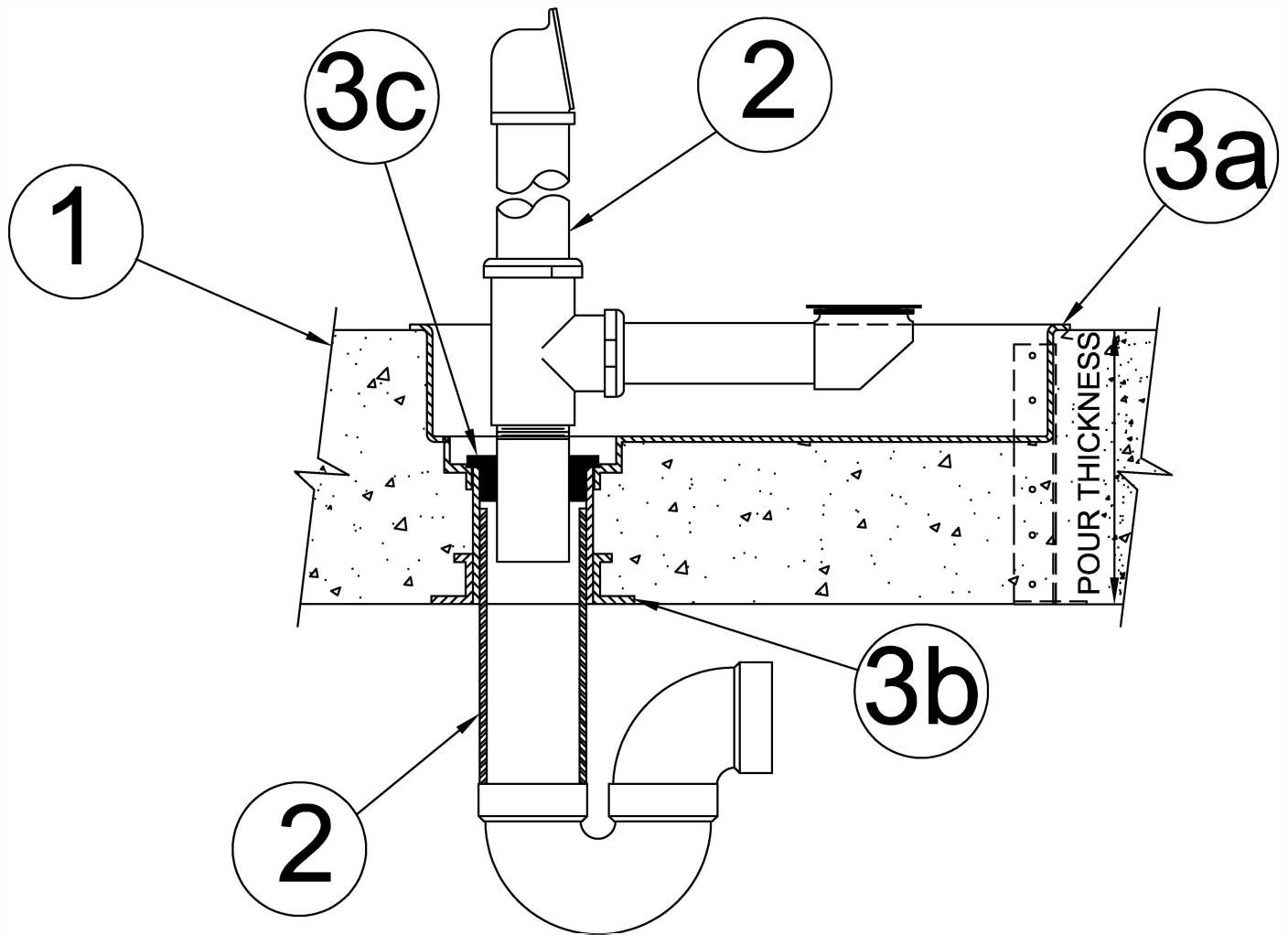
1355 Capital Circle Lawrenceville, GA 30043-5866 U.S.A.

## Design No. PS/PH 120-17

Horizontal (Floor)

Ratings: ASTM E-814 - 2 Hrs. (F), 1 Hrs. (T)

Test Pressure Differential - 2.5 Pa (0.01 in. of Water) Minimum



1. Floor: Minimum 7" thick normal density concrete slab.

### 2. Pipe Materials & Pipe Support:

1-1/2" Tubular Brass or PVC Plastic Waste & Overflow pass through ProSeal Plug on top side.  
Vertical pipe & P-Trap to be supported by solvent cementing the pipe into the embedded coupling.

### 3. Firestop System Components:

3a. ProSet P25620 F.R. PVC Tub Box\*

3b. ProSet 2" P2543 PVC sleeve Coupling\*

3c. ProSet ProSeal Plug P-25662 or P-25661 on the top side for tube or pipe size waste & overflow.

SEE DESIGN SYSTEMS PS/PH 120-11 or PS/PH 120-18 FOR SLABS LESS THAN 7"

\* Component Bearing the Warnock Hersey International Certification Mark.