

FIRESTOP SYSTEMS

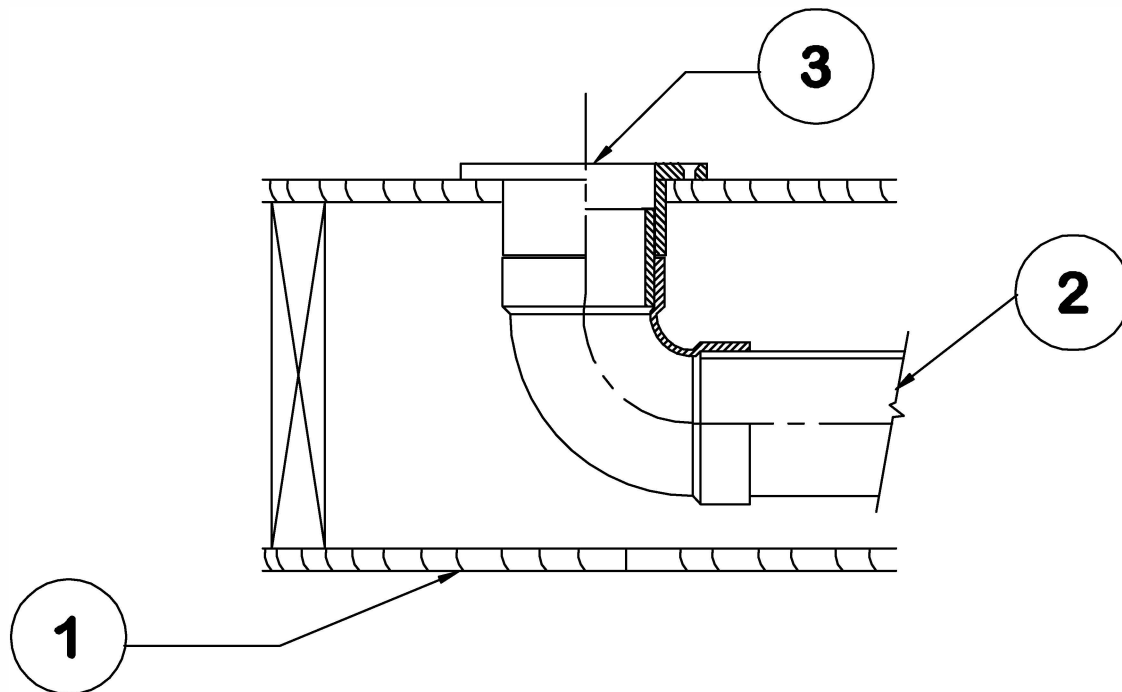
ProSet Systems, Inc.

1355 Capital Circle Lawrenceville, GA. 30043-5866 U.S.A.

Design No. PS/PH 120-12

Horizontal (Floor)

Ratings: ASTM E-814 - 2 Hrs. (F), 2 Hrs. (T) See item 1. Test
Pressure Differential - 2.5 Pa (0.0.1in. of Water) Minimum



1. Floor/Ceiling Assembly:

One-hour or two-hour rated wood framed/gypsum wallboard floor/ceiling assembly
F/FH rated limited to that of the floor/ceiling assembly.

2. Pipe Material and Pipe Support:

Maximum 4" diameter Sch. 40 ABS or cellular core PVC.
Branch pipe to penetration to be reliably supported.

3. Firestop Device

P-35344, 3" and P45344, 4" PVC Closet Stub* Hole through the wood floor must be
4" diameter for the 3" size and 5" diameter for 4" size.

Water Closet (Not Shown)

Floor-mounted water closet mounted to closet flange.

*** Components Bearing the Warnock Hersey International Certification Mark.**