

FIRESTOP SYSTEMS

ProSet Systems, Inc.

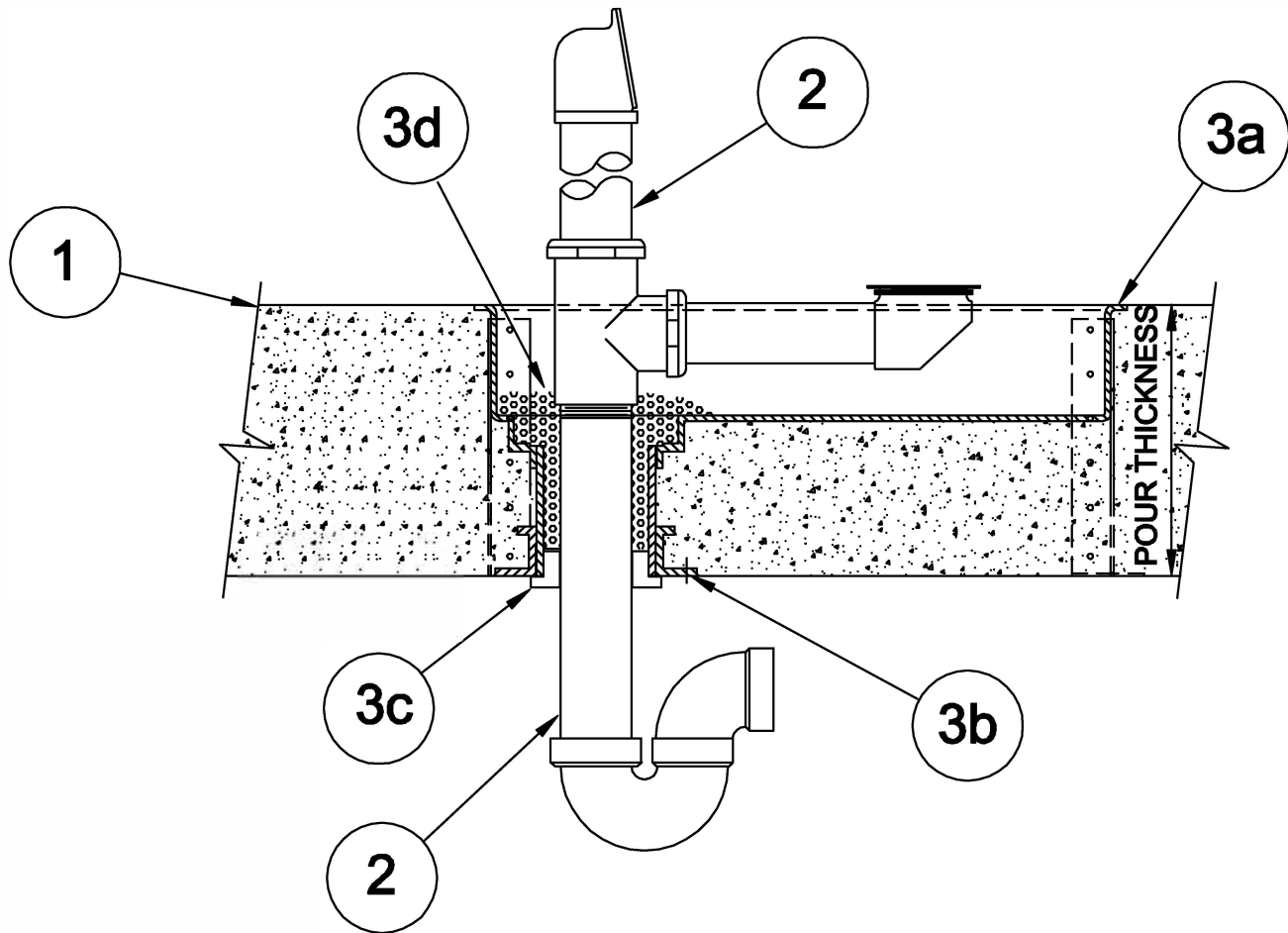
1355 Capital Circle Lawrenceville, GA 30043-5866 U.S.A.

Design No. PS/PH 120-11

Horizontal (Floor)

Ratings: ASTM E-814 - 2 Hrs. (F), 1 Hrs. (T)

Test Pressure Differential - 2.5 Pa (0.01 in. of Water) Minimum



1. Floor: Minimum 4-1/2" thick normal density concrete slab.

2. Pipe Materials & Pipe Support:

1-1/2" Tubular Brass or PVC Plastic Waste & Overflow pass through pipe.
P-Trap & branch pipe to be reliably supported.

3. Firestop System Components:

3a. ProSet P25620 F.R. PVC Tub Box*

3b. ProSet 2" P2543 PVC sleeve Coupling*

3c. ProSet ProSeal Plug P-20112 or P-25661 at tub bottom for pipe or tube size waste & overflow.

3d. ProSet Firefill* material must be used to fill the void between the pass through pipe and the sleeve to a minimum 4" depth. If the 4" depth cannot be obtained inside the sleeve Coupling, additional Firefill must be installed up in the tub box itself in order to obtain a minimum 4" material depth. When the floor is 7" or more in depth, the ProSeal Plug can be installed on the top side of the tub box without any Firefill.

*** Component Bearing the Warnock Hersey International Certification Mark.**