

FIRESTOP SYSTEMS

ProSet Systems, Inc.

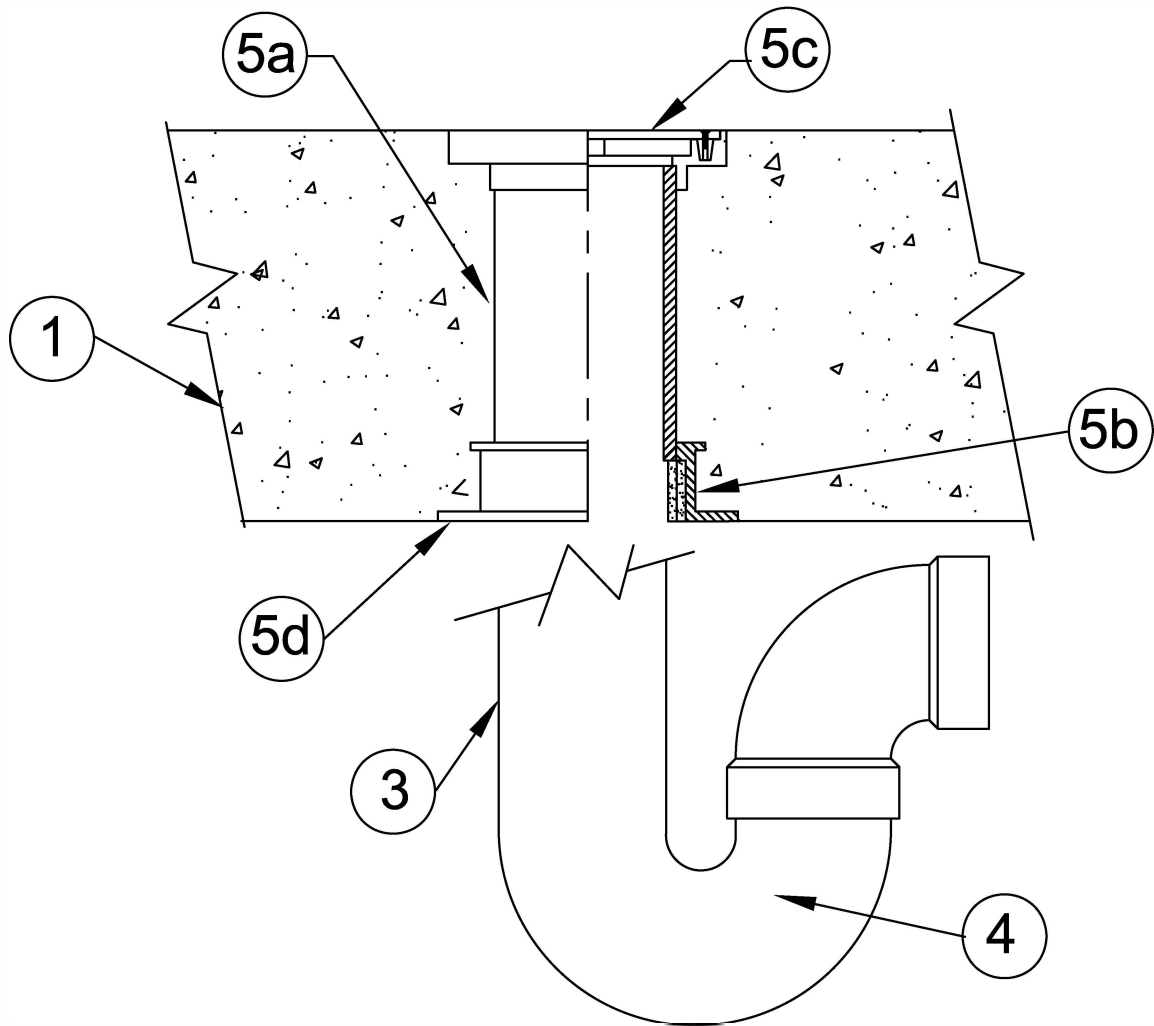
1355 Capital Circle Lawrenceville, GA 30043-5866 U.S.A.

Design No. PS/PH 120-07

Horizontal (Floor)

Ratings: ASTM E-814 - 2 & 3 Hrs. (F), 0 Hrs. (T) (See PS/PHV 180-03)

Test Pressure Differential - 2.5 Pa (0.01 in. of Water) Minimum



1. Floor:

Minimum 4" thick normal density concrete slab. F Rating of this penetration will equal that of the floor assembly up to 3 Hrs.

2. Pipe Support:

Pipe supported by solvent cementing the trap extension or pipe to sleeve coupling.

3. Pipe Materials:

ABS or cellular core PVC Pass-Through Pipe (Stacks), maximum diameter 4" (not shown).

4. P-Trap:

ABS or PVC, maximum diameter 4" (shown).

5. Firestop System Components:

5a. ProSet PVC Coupling*, cast-in-place.

5b. ProSet Self-Seal Intumescent Wrap Strips*.

One 1/4" thick wrap for 2" pipe, one 3/8" thick wrap for 3" pipe & one 5/8" thick wrap for a 4" pipe.

5c. Floor Drain or Shower Drain Assembly (shown).

5d. Proset Self Seal Mounting Flange*.

*** Component Bearing the Warnock Hersey International Certification Mark.**