

FIRESTOP SYSTEMS

ProSet Systems, Inc.

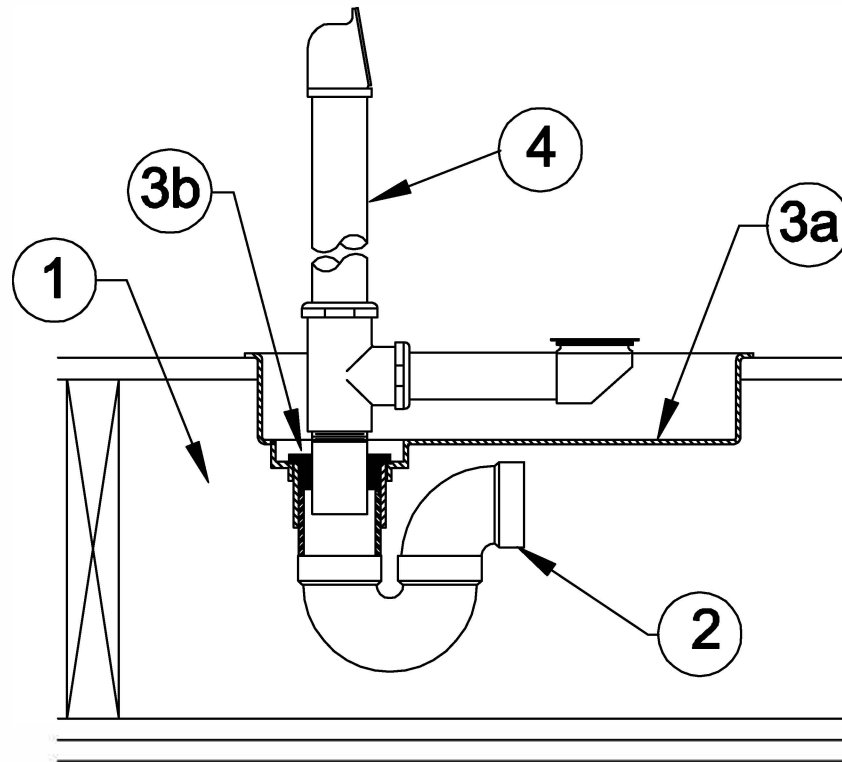
1355 Capital Circle Lawrenceville, GA 30043-5866 U.S.A.

Design No. PS/PH 120-06

Horizontal (Floor)

Ratings: ASTM E-814 - 2 Hrs. (F), 2 Hrs. (T)

Test Pressure Differential -2.5 Pa (0.01 in. of Water) Minimum



1. Floor/Ceiling Assembly:

One-hour rated or two-hour rated wood framed/gypsum wallboard floor/ceiling assembly.
F/FH rating is limited to that of the floor/ceiling assembly.

2. Pipe Materials & Pipe Support:

Maximum 2" diameter Sch. 40 ABS or Cellular core PVC
Branch pipe supported by solvent cementing trap to coupling.

3. Firestop System Components:

- 3a. Fire rated PVC Tub Box *
- 3b. ProSeal Adaptor Plug. - P25661 for pipe size or P25662 for Tubing size.

4. Tub or Shower Fittings:

- 4a. Brass or plastic tub drain overflow fittings or
- 4b. 2" PVC pipe extension up into a precast shower drain joint.

*** Component Bearing the Warnock Hersey International Certification Mark.**