

# FIRESTOP SYSTEMS

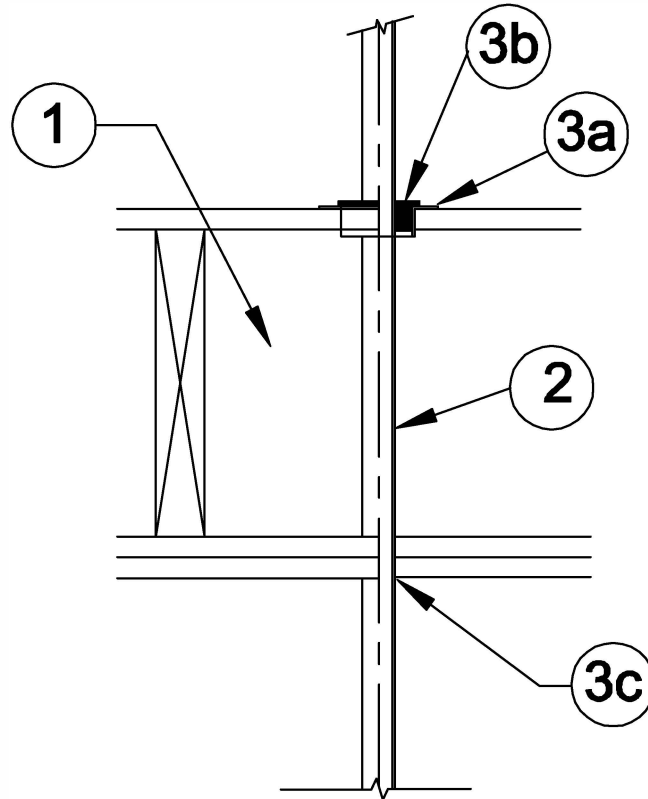
**ProSet Systems, Inc.**

1355 Capital Circle Lawrenceville, GA 30043-5866 U.S.A.

**Design No. PS/PH 120-05**

Horizontal (Floor/Ceiling)

Ratings: ASTM E-814 - 2 Hrs. (F), 2 Hrs. (T) See item 1.  
Test Pressure Differential - 2.5 Pa (0.01 in of water. Minimum



## 1. Floor/Ceiling Assembly:

One-hour rated or two-hour rated wood framed/gypsum wallboard floor/ceiling assembly. F/FH rating is limited to that of the floor/ceiling assembly. Maximum 1/4" annular space around pipe where it passes through the ceiling.

## 2. Pipe Materials & Support:

Maximum 1-1/2" I.D. CPVC or PVC - Vertical Riser is supported by the firestop device.

## 3. Firestop System Components:

3a. ProSet Riser Support Fitting installed in 3" dia. hole.

3b. Proseal Plug installed on top with foil tape protection wrap around pipe where plug touches pipe.

3c. Gypsum joint compound packed into annular space around pipe.

Note: Foil tape used around pipe at plug to prevent plasticizer migration from the plug to the pipe.

**\* Component Bearing the Warnock Hersey International Certification Mark.**