

FIRESTOP SYSTEMS

ProSet Systems, Inc.

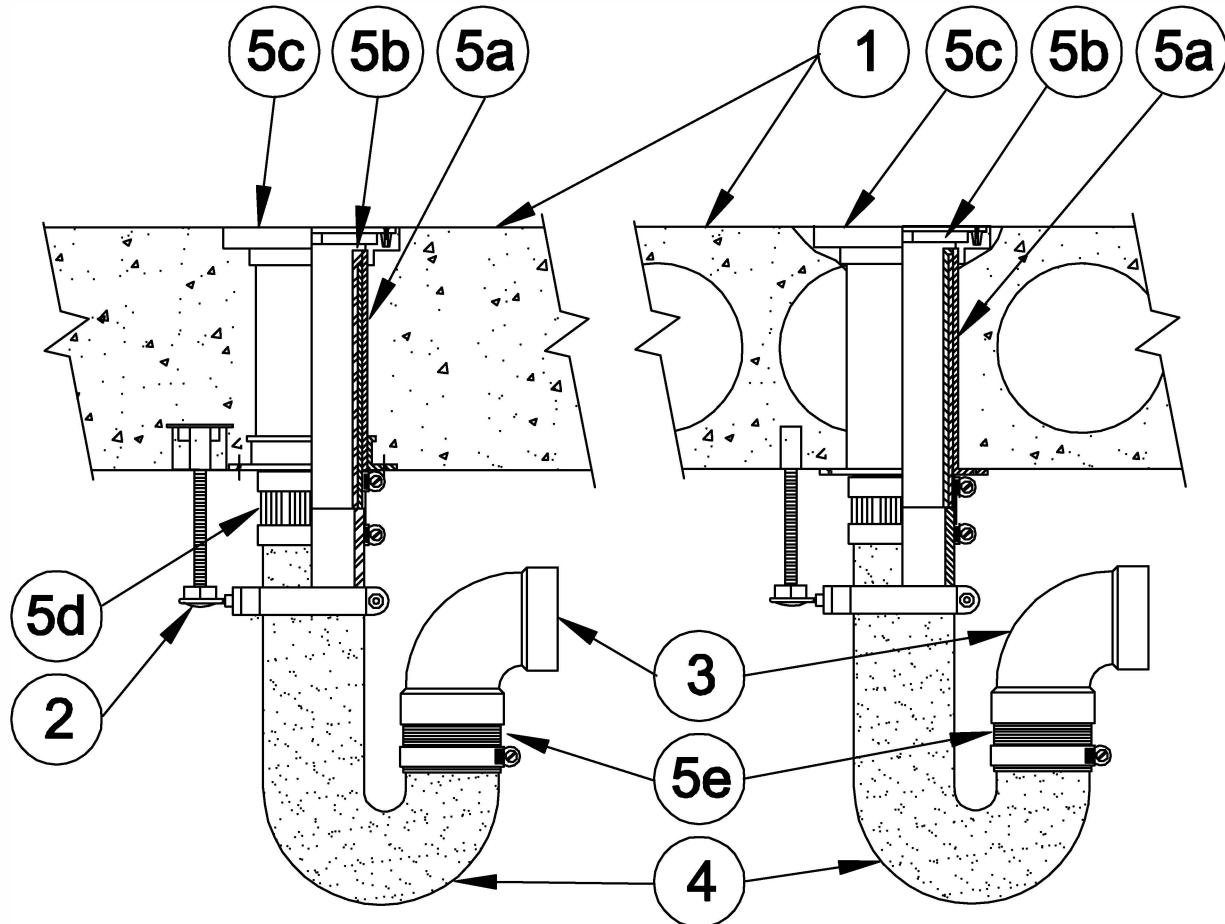
1355 Capital Circle Lawrenceville, GA 30043-5866 U.S.A.

Design No. PS/PH 120-02

Horizontal (Floor) - See item 1.

Ratings: ASTM E-814 -2 Hrs. (F), 0 Min. (T)

Test Pressure Differential - 2.5 Pa (0.01 in. of Water) Minimum



1. **Floor:** Minimum 4" thick normal density concrete slab or 7-1/2" thick hollowcore precast concrete floor units. Fluted decks with 2-1/2" concrete slab, rating is 1Hr F/FH.
2. **Pipe Support**
ProSet Hanger Type S-01, or other reliable support
3. **Pipe Materials:**
ABS, PVC Solid or Cell-core pipe or Cast Iron, maximum diameter 4".
4. **J-Bend P-Trap:**
Cast Iron or Plastic, maximum diameter 4".
5. **Firestop System Components:**
 - 5a. ProSet PVC Coupling, Cast-in place* or Cored hole Coupling*.
 - 5b. Cast Iron and Thin Wall PVC Liner, extends from top of coupling to 1" below coupling.
Optional P-90 PVC pipe can be substituted on the 2-inch size drain.
 - 5c. One of the following top assemblies: Shower Drain*, Floor Drain*, Clean-Out Cover*,
Domed Roof Drain*.
 - 5d. ProSet Mechanical Joint Adaptor Coupling.
 - 5e. ProSet EZ Flex* PVC Coupling.

*** Component Bearing the Warnock Hersey International Certification Mark.**