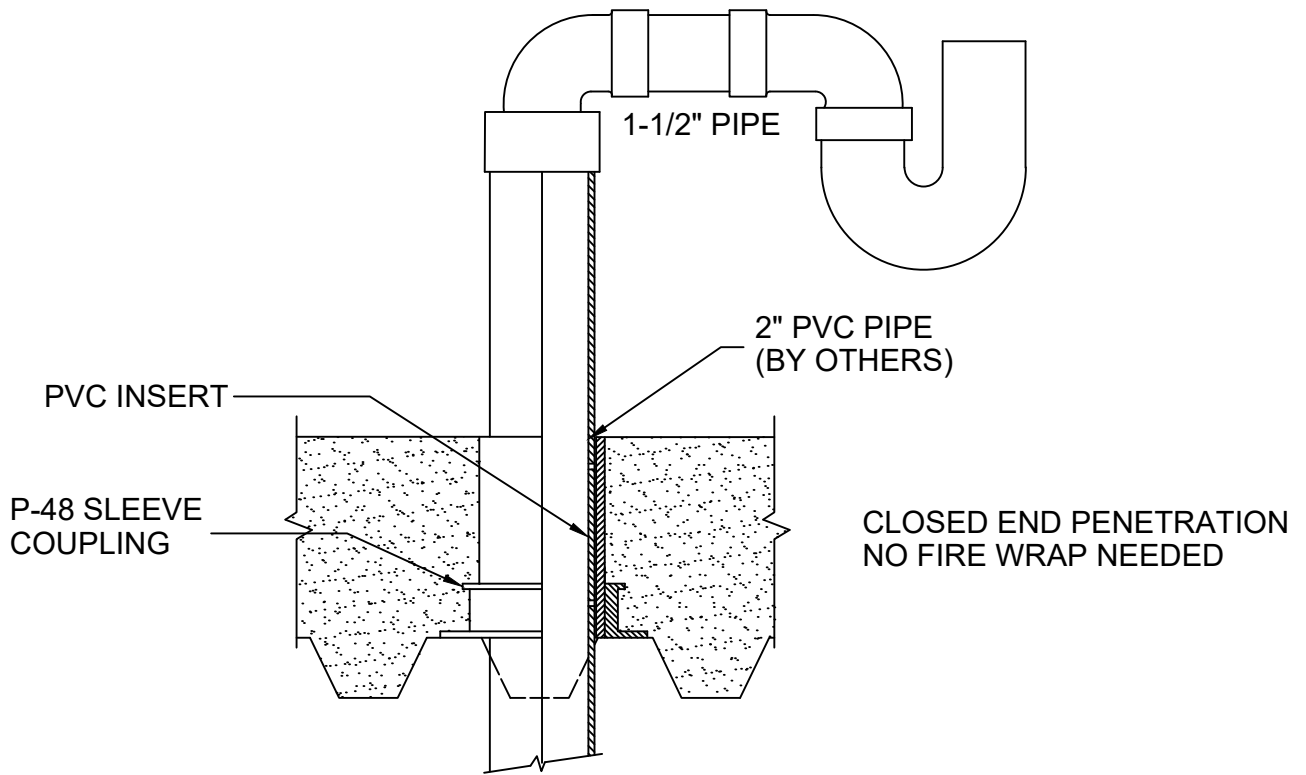


LAV OR SINK SLEEVE ASSEMBLY

CONCRETE ON CORRUGATED METAL DECK FOR FLOORS



SEE DRAWING C-4805-A FOR CONCRETE ON WOOD FORM

| Size | Part No. | Description | Price |
|------|----------|------------------------------|--------|
| 2" | P2548H | PVC Sleeve Coupling w/ Stops | \$8.45 |



W.H. Directory Reference 97 Edition
Firestop Device
W.H. Design No. PS/PH 120-08
F Rating 2 Hrs.



PROSET[®]
SYSTEMS
FIRESTOP PENETRATOR™

DATE :
05-31-2021
DRG . NO .
C-4805-C