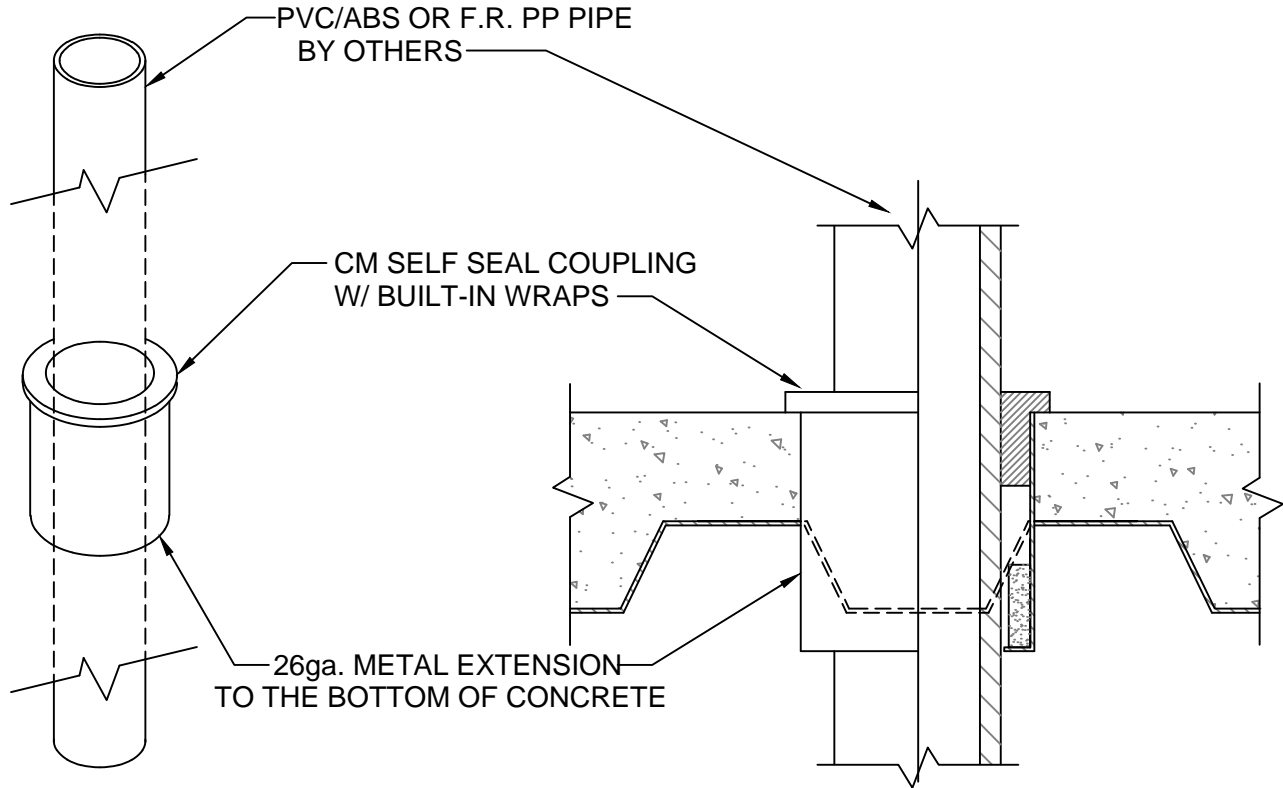


Cored Hole Self Seal Stack Assembly

CONCRETE ON CORRUGATED METAL DECK
FOR FLOORS



Size	Part No.	Description	Price	Core Size
2"	P25494 1/2-CH	2" Self Seal CH Coupling	13.35	3"
3"	P35494 1/2-CH	3" Self Seal CH Coupling	26.65	4 1/2"
4"	P45494 1/2-CH	4" Self Seal CH Coupling	36.30	6"
6"	S65494 1/2-CH	6" Self Seal CH Coupling	73.15	9"

Units have a 4 1/2", 8" and 10" metal extension below the Seal Ring CH coupling.
When ordering, insert desired length instead of H. (ie) P354910-CH = 10" long part.
Add \$ 2.45 each to the above prices if the desired lengths are 8" or 10".



W.H. Directory Reference 98 Edition
Firestop Device
W.H. Design No. PS/PH 120-14
F Rating 2 Hrs.



PROSET[®]
SYSTEMS
FIRESTOP PENETRATOR™

DATE :

5-31-21

DRG . NO .

C-9049-DCp