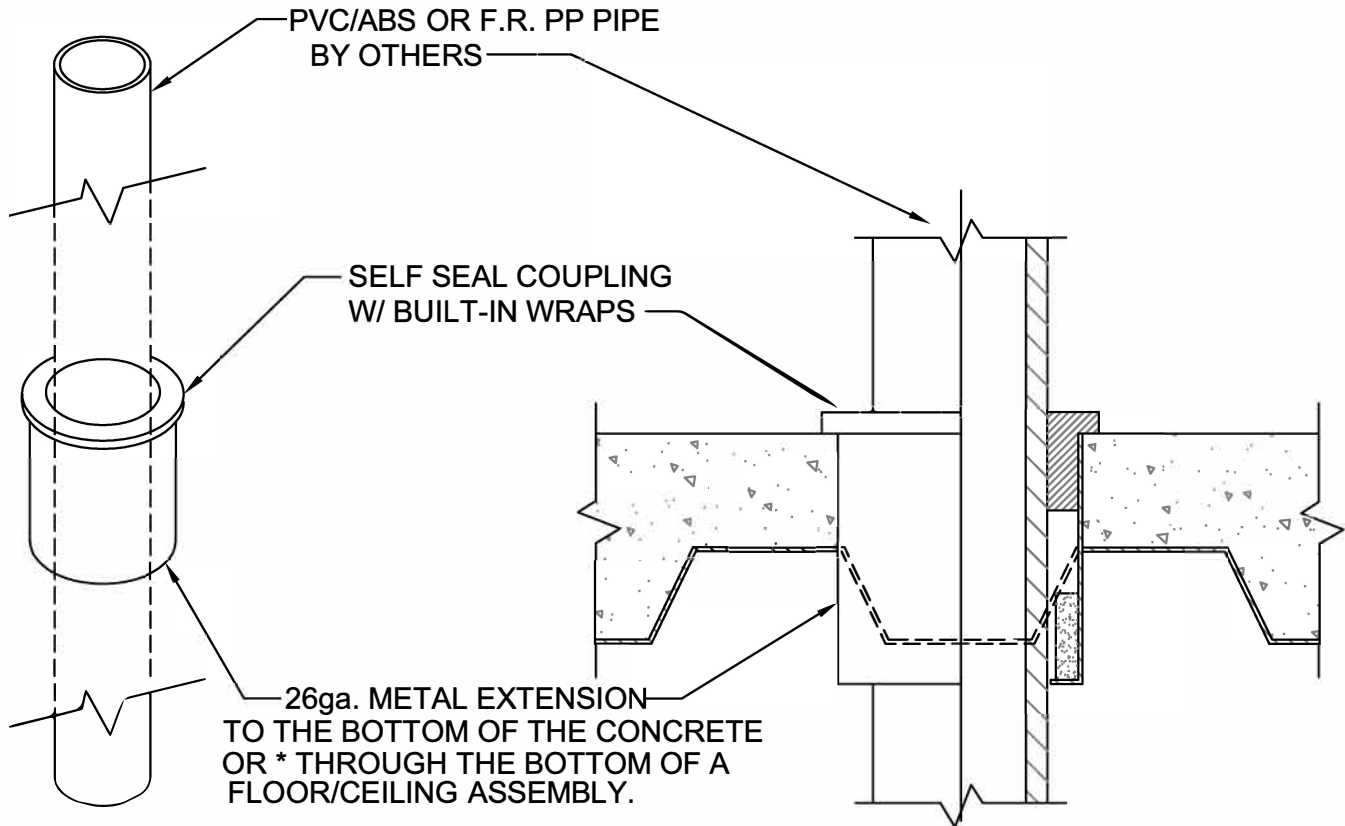


Cored Hole Self Seal Stack Assembly

CONCRETE ON CORRUGATED METAL DECK
FOR FLOORS



IMPORTANT NOTES:

1. Core a 3" hole for a 2" plastic pipe. A 4 1/2" hole for a 3" and a 6" hole for a 4" pipe. (For 1 1/2" size see Drawing A-1011-C and D)
2. Push the plastic pass through pipe through the Self Seal Cored Coupling to the required height above and below the concrete floor.
3. Insert the Self Seal Cored Hole Coupling through the proper size cored hole.
4. A bead of caulk around the bottom of the Seal Ring can be used to waterproof & anchor the opening to the concrete floor if required.
5. If the pass through pipe can not be solvent cemented to the Sleeve Coupling for support such as pass through Polypropylene pipe. ProSet's riser clamp can be used for pipe support.

* If the corrugated floor is part of a floor/ceiling assembly, the metal can be extended through the rated ceiling.



W.H. Directory Reference 98 Edition
Firestop Device
W.H. Design No. PS/PH 120-14
F Rating 2 Hrs.



PROSET[®]
SYSTEMS
FIRESTOP PENETRATOR™

DATE :

5-31-21

DRG . NO .

C-9049-DC