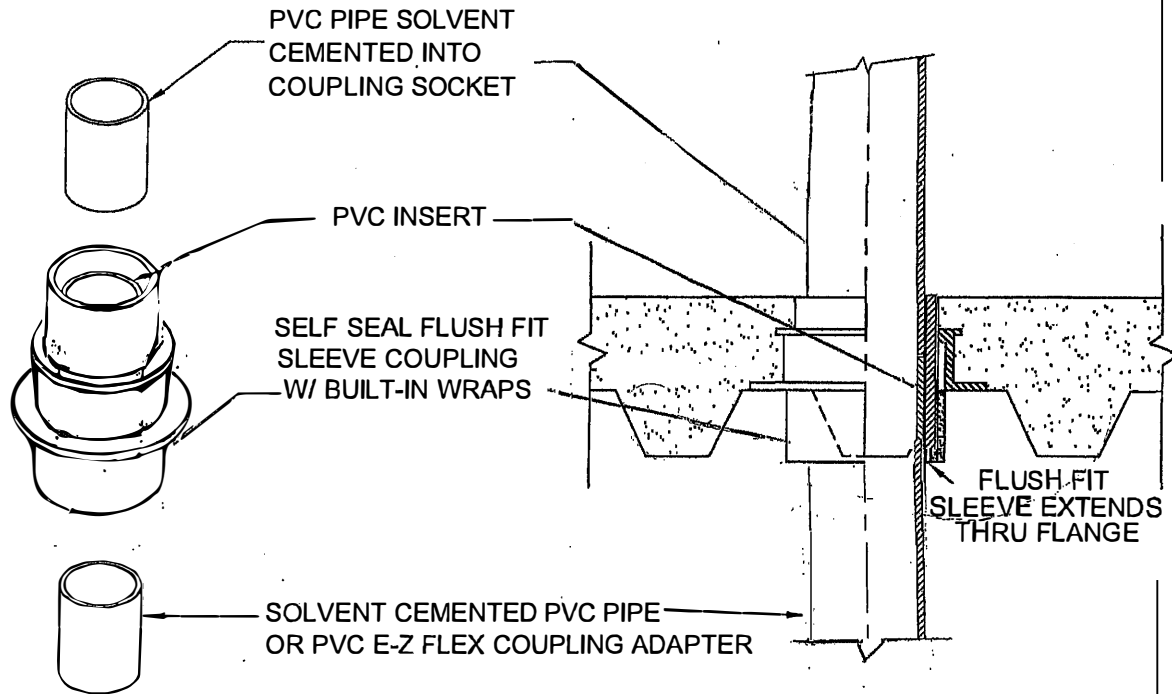


Self Seal Flush Fit Stack Fitting Assembly

POURED CONCRETE ON CORRUGATED METAL DECK FOR FLOORS



SIZE	PART NO.	DESCRIPTION	PRICE
2"	P2548H-SSW-CM	2" SELF SEAL STACK STUB-IN FOR CM	22.70
3"	P3548H-SSW-CM	3" SELF SEAL STACK STUB-IN FOR CM	40.60
4"	P4548H-SSW-CM	4" SELF SEAL STACK STUB-IN FOR CM	54.95

"H"= HEIGHT OF POUR FROM BOTTOM OF FLUTE TO TOP OF CONCRETE



W.H. Directory Reference 00 Edition
Firestop Device
W.H. Design No. PS/PH 120-14
F Rating 2 Hrs.



PROSET[®]
SYSTEMS
FIRESTOP PENETRATOR[™]

DATE:
5-31-21

DRG. NO.
C-9049-C48P