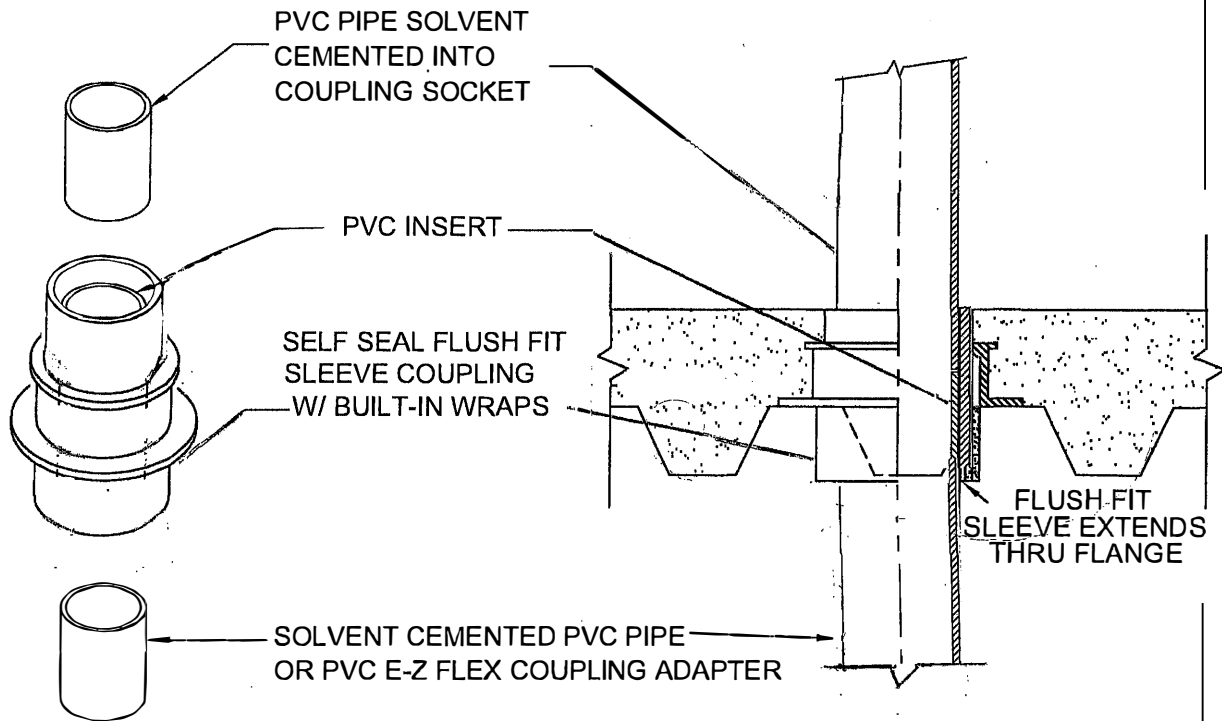


Self Seal Flush Fit Stack Fitting Assembly

POURED CONCRETE ON CORRUGATED
METAL DECK FOR FLOORS



IMPORTANT NOTES :

1. Use screws through flange holes to mount the sleeve coupling to the deck.
2. After concrete is poured, remove protective cap.
3. Solvent cement the PVC pipe or E-Z Flex Coupling into bottom or top socket.
4. E-Z Flex connections can be used for connecting prefab piping assemblies to the sleeve coupling. The EZ-Flex can be used to go from cast iron to plastic piping or connection to ProVent Stack Fittings.



W.H. Directory Reference 00 Edition
Firestop Device
W.H. Design No. PS/PH 120-14
F Rating 2 Hrs.



PROSET[®]
SYSTEMS
FIRESTOP PENETRATOR[™]

DATE :

5-31-21

DRG. NO.

C-9049-C48