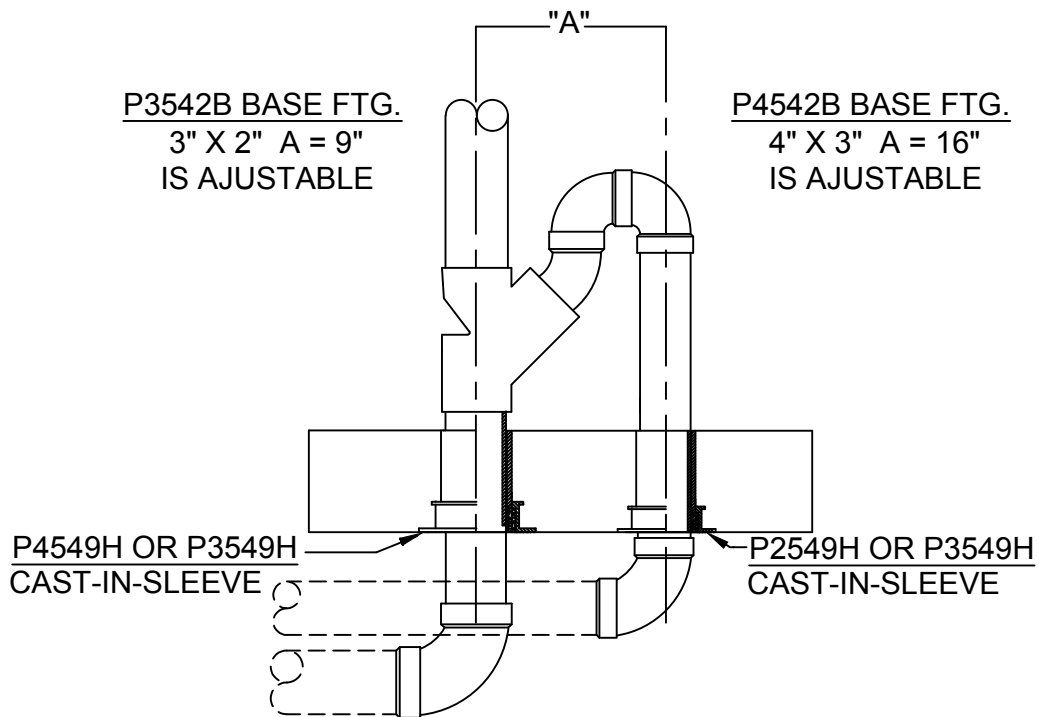


Self Seal Sleeve Assembly

FOR PROVENT 3" & 4" BASE VENT FITTINGS ABOVE GROUND FLOOR



Size	Part No.	Description	Price
2"	P2549H-G or R 2"	Self Seal Coupling	15.30
3"	P3549H-G or R 3"	Self Seal Coupling	29.05
4"	P4549H-G or R 4"	Self Seal Coupling	33.90

Use "G" Green lettered coupling for pass through pipe.
 Use "R" Red lettered coupling for solvent welding.



W.H. Directory Reference 00 Edition
 Firestop Device
 W.H. Design No. PS/PHV 180-03
 F Rating 3 Hrs.



PROSET[®]
SYSTEMS
 FIRESTOP PENETRATOR™

DATE :
 05-31-21
 DRG . NO .
 C-9049-BVFAp