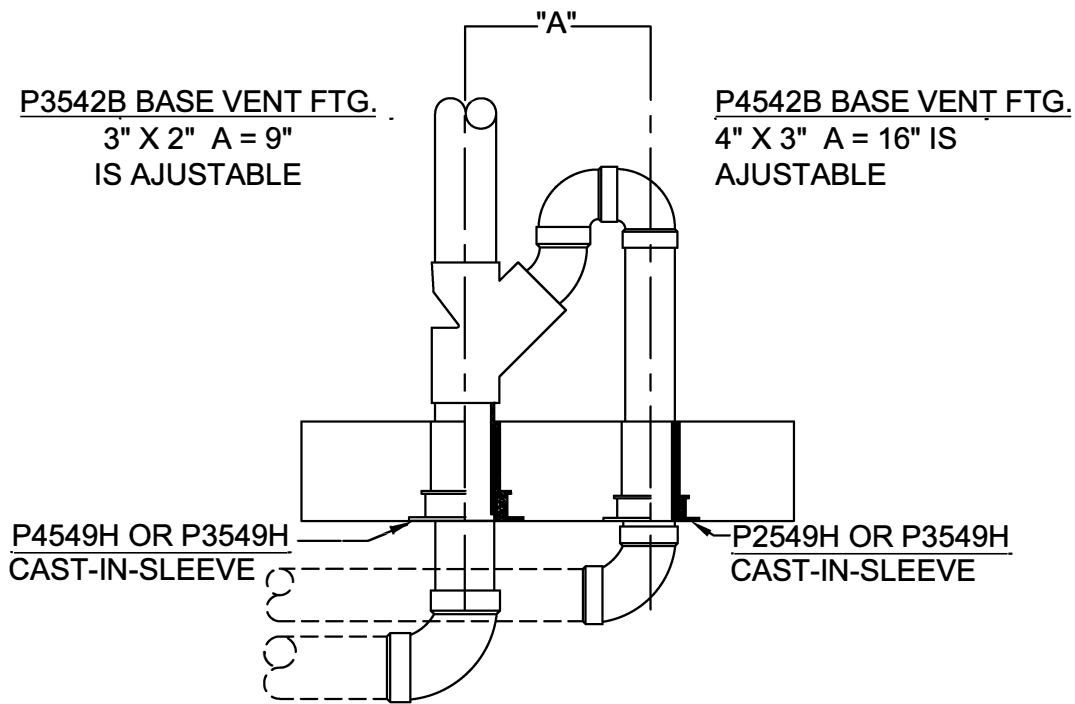


Self Seal Sleeve Assembly

FOR PROVENT 3" & 4" BASE VENT FITTINGS ABOVE GROUND FLOOR



IMPORTANT NOTES :

1. Use nails through flange holes to mount the sleeve coupling to the deck.
2. After concrete is poured, remove protective cap.
3. Insert the through pipe from either the top or the bottom side of the Green lettered coupling.
4. After the pipe is passed through, swab around the top pipe and the sleeves with solvent cement to attach and anchor the pass through piping to the sleeve



W.H. Directory Reference 00 Edition
Firestop Device
W.H. Design No. PS/PHV 180-03
F Rating 3 Hrs.



PROSET[®]
SYSTEMS
FIRESTOP PENETRATOR™

DATE :
5-31-21

DRG . NO .
C-9049-BVFA