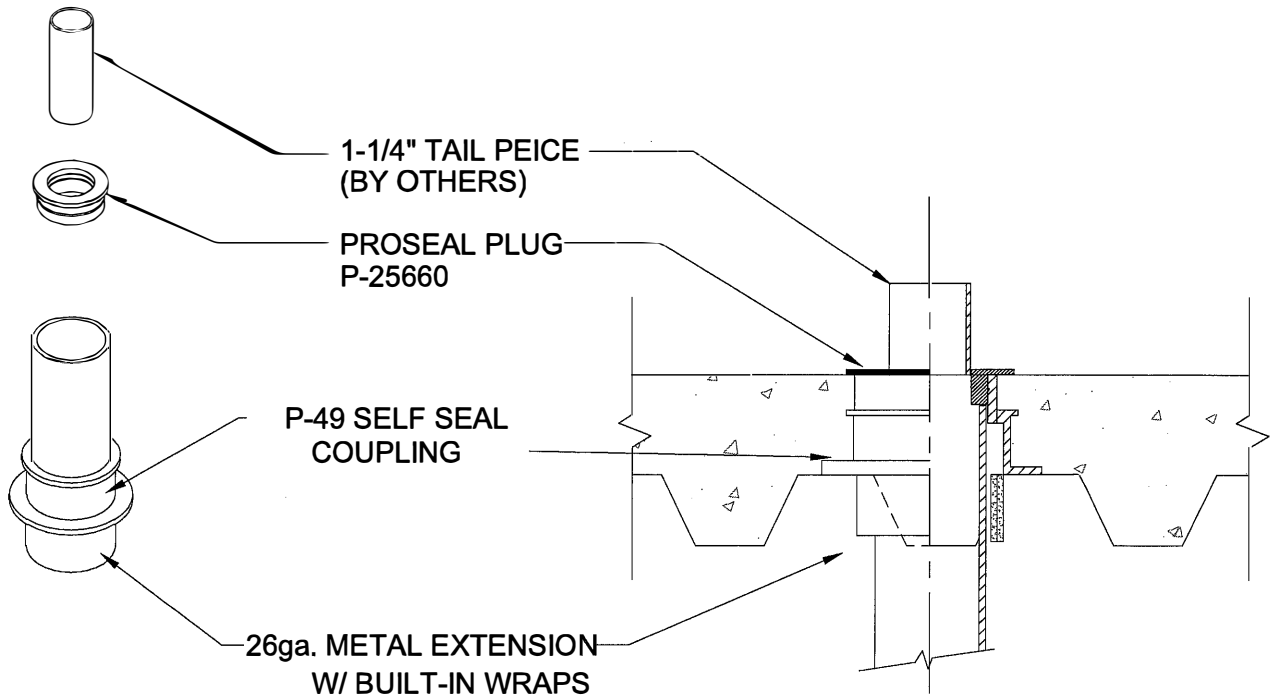



BIDET SLEEVE ASSEMBLY

CONCRETE ON CORRUGATED METAL THROUGH FLOORS



Size	Part No.	Description	Price	Unit Total
2"	P2549H-G-CM	2" Self Seal Coupling	20.30	
2"	P25660	2"x 1 1/4" ProSeal Plug	2.95	23.25


 W.H. Directory Reference 97 Edition
 Firestop Device
 W.H. Design No. PS/PH 120-07
 F Rating 2 Hrs.


PROSET[®]
SYSTEMS
 FIRESTOP PENETRATOR™

DATE :
5-31-21

DRG . NO .
C-6610-Cp