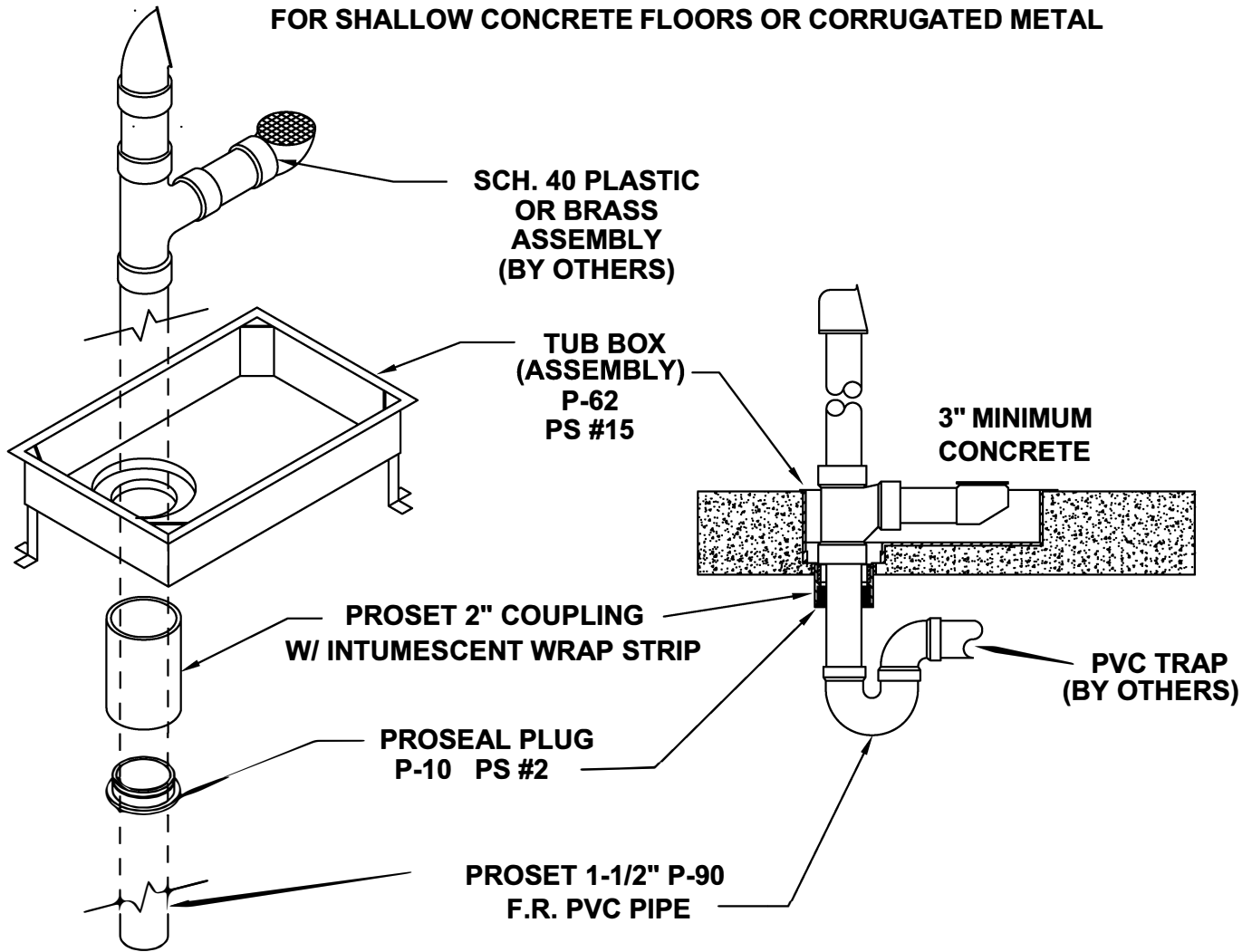


# TUB BOX SLEEVE ASSEMBLY

FOR SHALLOW CONCRETE FLOORS OR CORRUGATED METAL



Size	Part No.	Description	Price	Unit Total
2"	P2562H-HAM	Tub Box w/wrap coupling	27.85	
2"	C25661 or C25662	Bushing 1 1/2" pipe or tube	2.95	30.80

Note: Tub box can be used in concrete on top of corrugated metal decks.



W.H. Directory Reference 99 Edition  
Firestop Device  
W.H. Design No. PS/PH 120-10  
F Rating 2 Hrs.



**PROSET**<sup>®</sup>  
**SYSTEMS**  
FIRESTOP PENETRATOR™

DATE :

5-31-21

DRG. NO.

C-6211-A2p