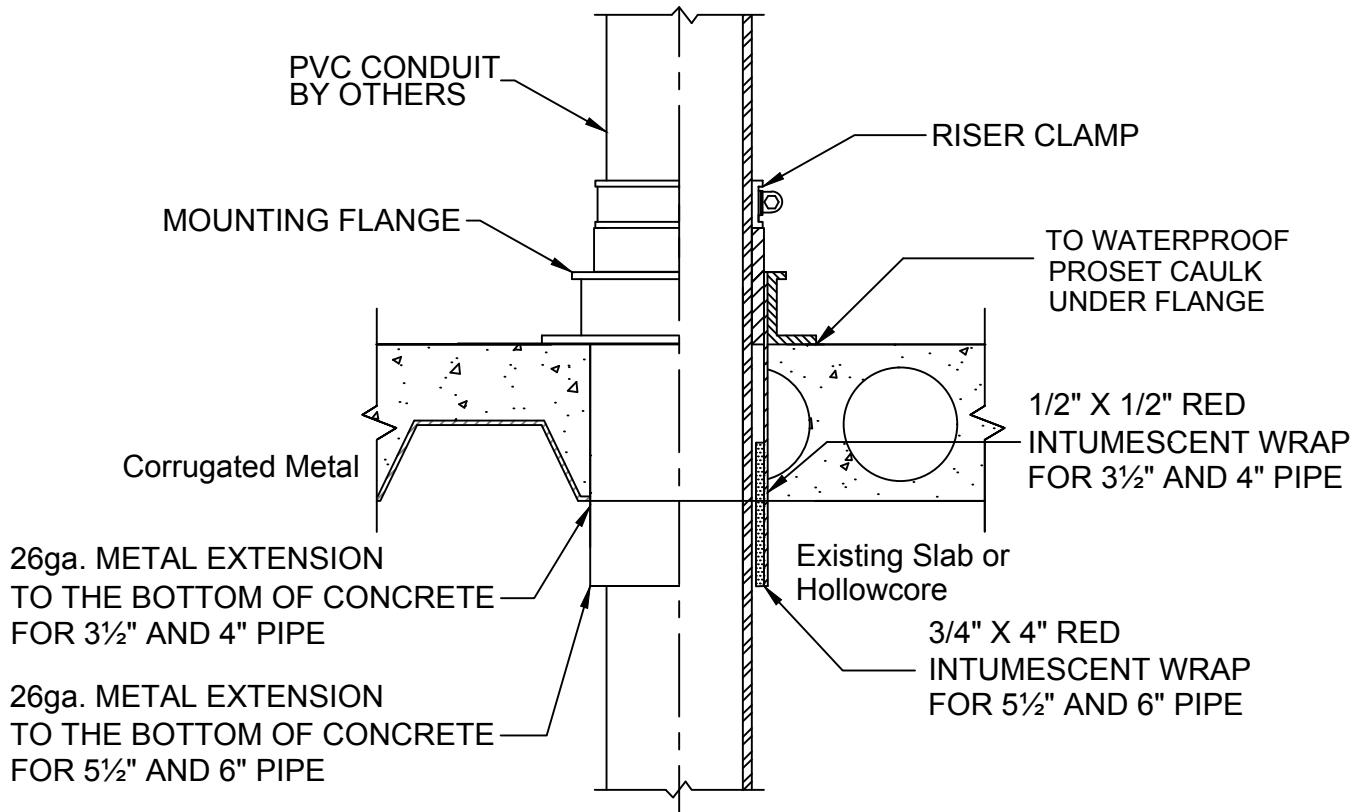


CORED HOLE PENETRATION

FOR PVC CONDUIT 3½" THROUGH 6"
 PRECAST CONCRETE OR EXISTING CONCRETE FLOORS



Size	Part No.	Description	Price	Unit Total	Core Size
3½"	P4849H-CHE	3½" Self Seal Metal Sleeve	42.00	47.10	6"
	A03312-P	3½" Riser Clamp	5.10		
4"	P4549H-CHE	4" Self Seal Metal Sleeve	38.00	42.15	6"
	A04214-P	4" Riser Clamp	4.15		
5"	P6849H-CHE	5" Self Seal Metal Sleeve	78.95	86.20	9"
	A05214-P	5" Riser Clamp	7.25		
6"	P6549H-CHE	6" Self Seal Metal Sleeve	73.15	79.90	9"
	A06214-P	6" Riser Clamp	6.75		

W.H. Directory Reference 11 Edition
 Firestop Device
 W.H. Design No. PS/PH 120-14 &
 W.H. Design No. PS/PH 180-05 &
 W.H. Design No. PS/PHV 180-03
 F Rating 3 Hrs. ASTM E-814



DATE :
 12-16-19

DRG . NO .
 E-9049-D