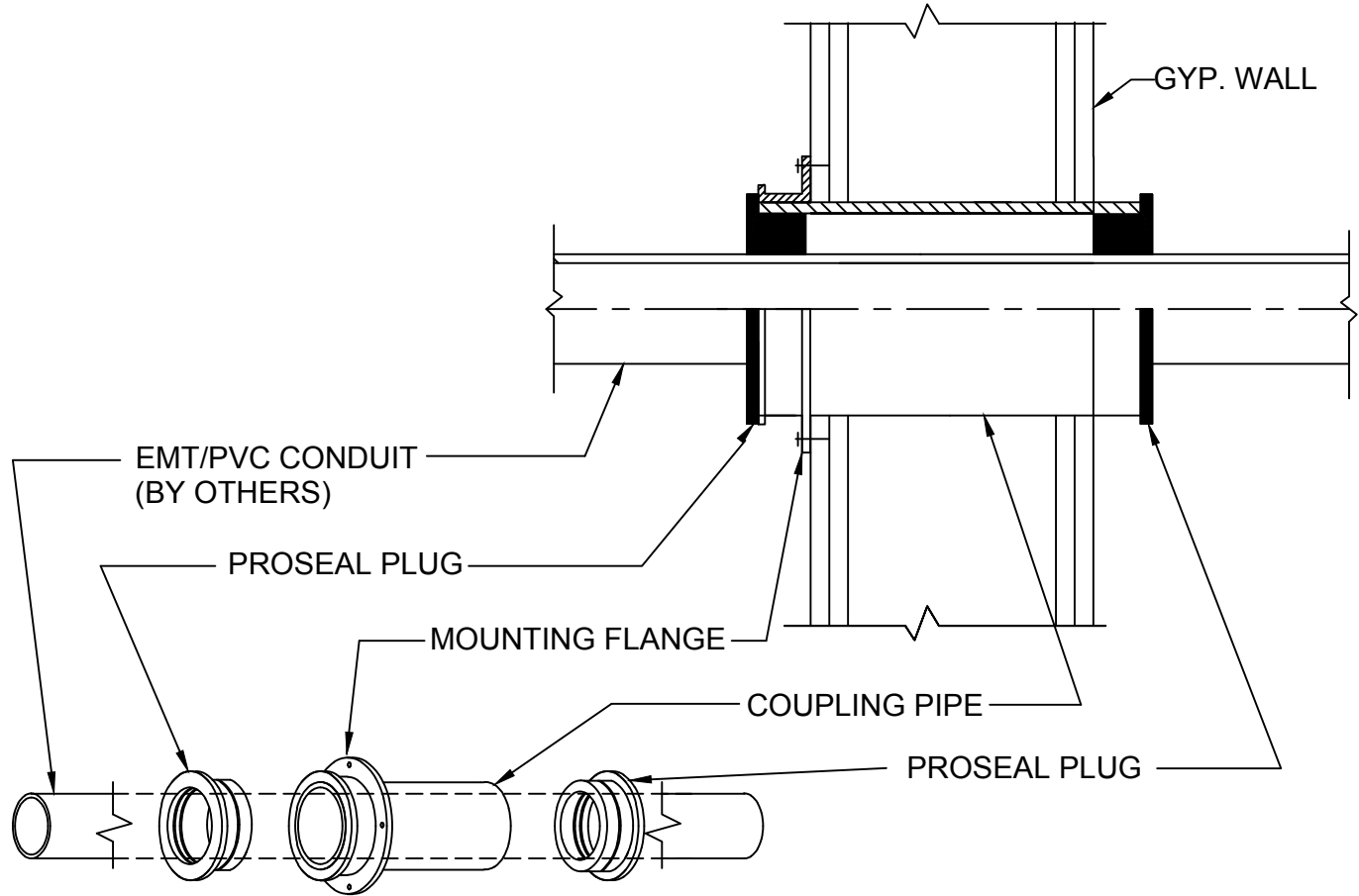


# GYPSUM WALL PENETRATION

FOR 1/2" THROUGH 1 1/2" PIPE  
FOR 2 HR. GYPSUM WALLS



Pipe	Size	Part No.	Description	Price	Unit Total
EMT/PVC	1/2"	P2543H-G-GW C20012 (2)	Sleeve Coupling 2"x1/2" ProSeal Plug	6.95 5.30	12.25
EMT/PVC	3/4"	P2543H-G-GW C20034 (2)	Sleeve Coupling 2"x3/4" ProSeal Plug	6.95 5.30	12.25
EMT/PVC	1"	P2543H-G-GW C20100 (2)	Sleeve Coupling 2"x1" ProSeal Plug	6.95 5.30	12.25
EMT/PVC	1 1/4"	P2543H-G-GW C20114 (2)	Sleeve Coupling 2"x1 1/4" ProSeal Plug	6.95 5.30	12.25
EMT/PVC	1 1/2"	P2543H-G-GW C20112 (2)	Sleeve Coupling 2"x1 1/2" ProSeal Plug	6.95 5.30	12.25

Add approximately .35 each to above for bulk F10450 Firefill Material.



W.H. Directory Reference 99 Edition  
Firestop Device  
W.H. Design No. PS/PV 120-01  
F Rating 2 Hrs.



**PROSET**<sup>®</sup>  
**SYSTEMS**  
FIRESTOP PENETRATOR™

DATE :  
12-11-19  
DRG . NO .  
E-1013-F