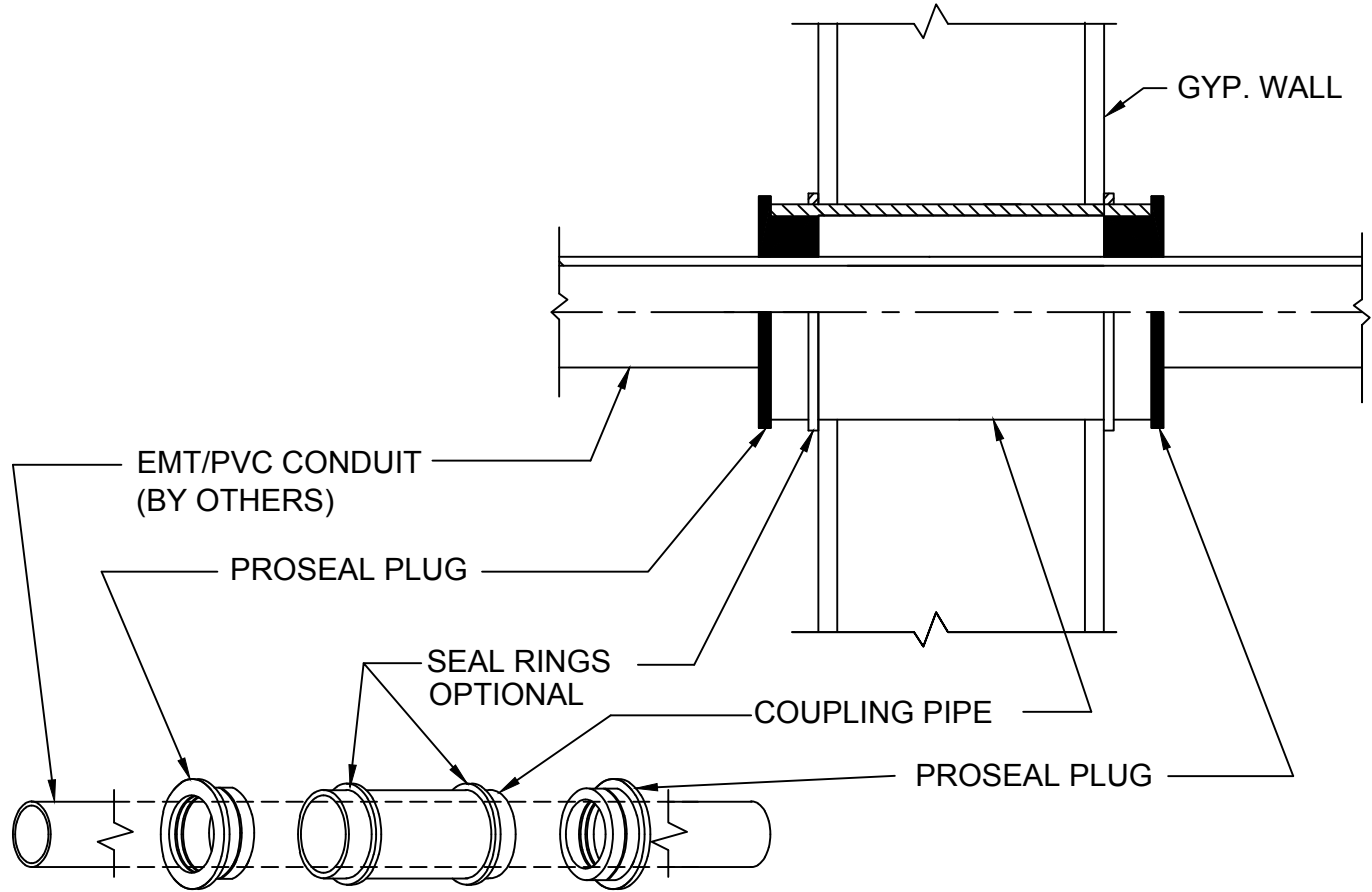


GYPSUM WALL PENETRATION

FOR 1/2" THROUGH 1½" PIPE
FOR 1 HR. GYPSUM WALLS



Pipe	Size	Part No.	Description	Price	Unit Total
EMT/PVC	½"	P2543H-B-GW C20012 (2)	Sleeve Coupling 2"x½" ProSeal Plug	6.95 5.30	12.25
EMT/PVC	¾"	P2543H-B-GW C20034 (2)	Sleeve Coupling 2"x¾" ProSeal Plug	6.95 5.30	12.25
EMT/PVC	1"	P2543H-B-GW C20100 (2)	Sleeve coupling 2"x1" ProSeal Plug	6.95 5.30	12.25
EMT/PVC	1¼"	P2543H-B-GW C20114 (2)	Sleeve Coupling 2"x1¼" ProSeal Plug	6.95 5.30	12.25
EMT/PVC	1½"	P2543H-B-GW C20112 (2)	Sleeve Coupling 2"x1½" ProSeal Plug	6.95 5.30	12.25

Important: When ordering ProSeal Plugs use suffix EMT or P for PVC.
Add approximately .35 each to above for bulk F10450 Firefill Material.



W.H. Directory Reference 99 Edition
Firestop Device
W.H. Design No. PS/PV 120-01
F Rating 1 Hr or 2 Hrs.



PROSET[®]
SYSTEMS
FIRESTOP PENETRATOR™

DATE :
12-11-19
DRG . NO .
E-1011-F