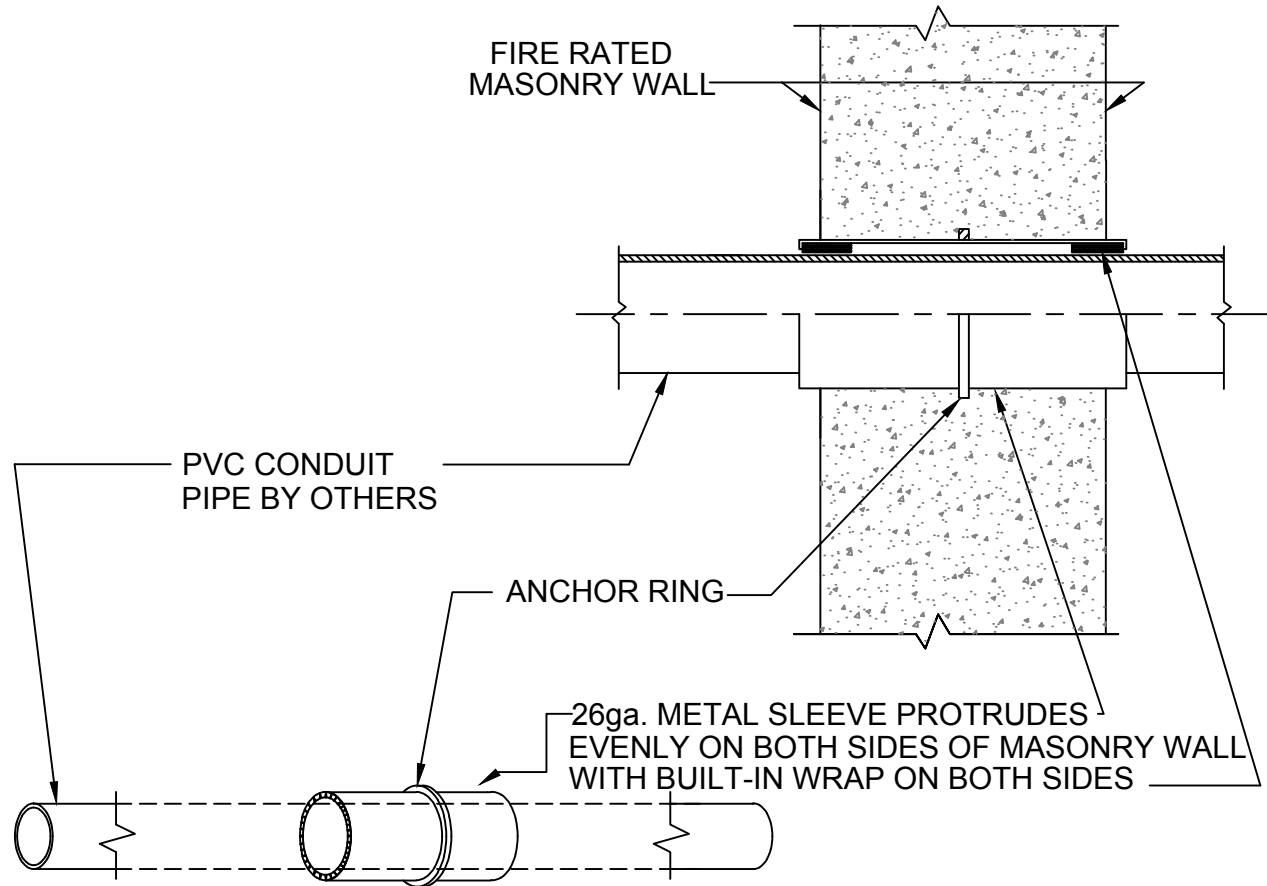


MASONRY WALL PENETRATION

FOR 2", 3", AND 4" PVC CONDUIT
FOR MASONRY BLOCK WALLS



Size	Part No.	Description	Price	Hole Size
2"	S2549H-MW	2" Self Seal MW Sleeve	23.95	3"
3"	S3549H-MW	3" Self Seal MW Sleeve	36.50	4 1/2"
4"	S4549H-MW	4" Self Seal MW Sleeve	54.55	6"



W.H. Directory Reference 01 Edition
Firestop Device
W.H. Design No. PS/PHV 180-03
F Rating 3 Hrs.



PROSET[®]
SYSTEMS
FIRESTOP PENETRATOR™

DATE :
12-11-19
DRG . NO .
E-9049-G