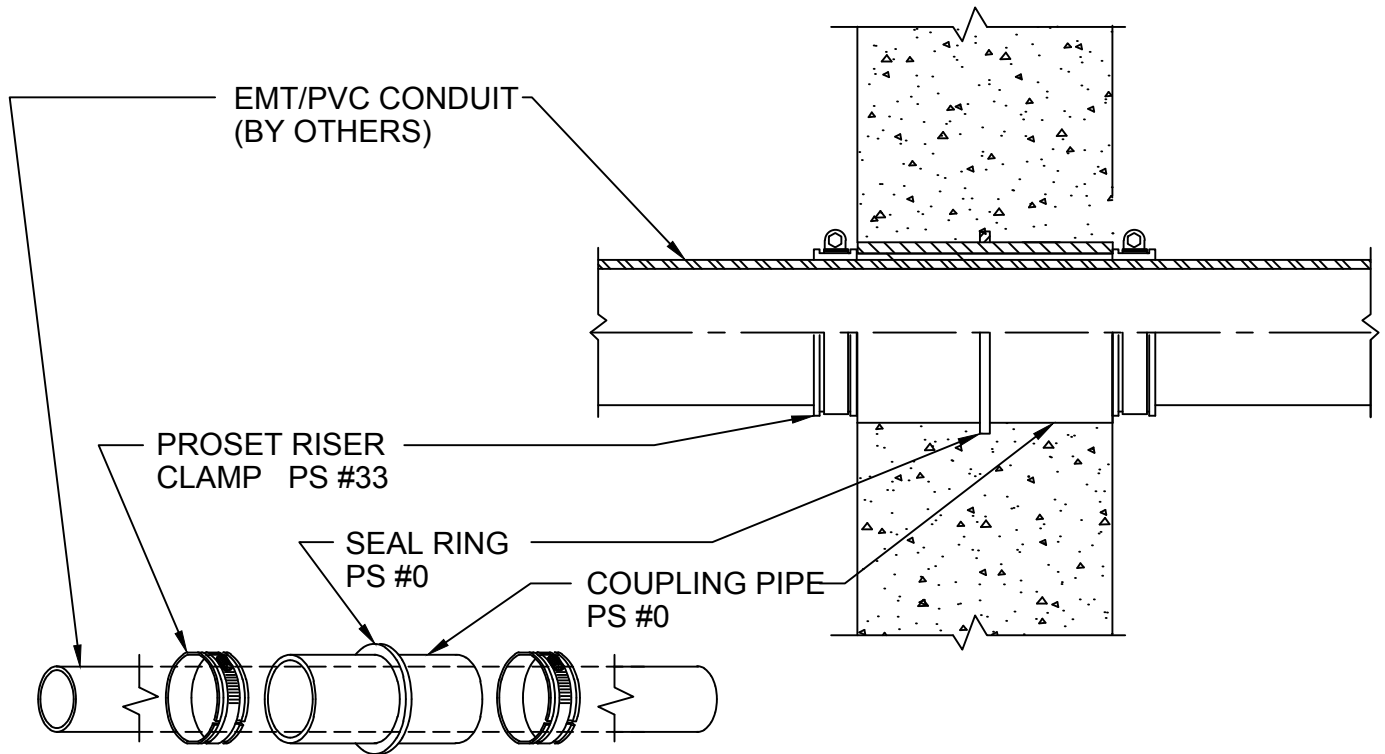


MASONRY WALL PENETRATION

FOR 2" AND LARGER PIPE
FOR BLOCK/BRICK WALLS



Pipe	Size	Part No.	Description	Price	Unit Total
EMT/PVC	2"	P2543H-G-MW A02214 (2)	2" Sleeve Coupling 2" Riser Clamp	4.55 5.90	10.45
EMT/PVC	2½"	P3843H-MW A03212 (2)	2½" Sleeve Coupling 2½" Riser Clamp	7.45 7.70	15.15
EMT/PVC	3"	P3543H-G-MW A03214 (2)	3" Sleeve Coupling 3" Riser Clamp	6.70 6.60	13.30
EMT/PVC	4"	P4543H-B or G-MW A04214 (2)	4" Sleeve Coupling 4" Riser Clamp	9.20 8.30	17.50
EMT/PVC	5"	P68438-MW A05214 (2)	5" Sleeve Coupling 5" Riser Clamp	22.85 13.20	36.05
EMT/PVC	6"	P6543H-B-MW A06214 (2)	6" Sleeve Coupling 6" Riser Clamp	15.30 13.50	28.80

Use suffix EMT or P for PVC when ordering Riser Clamps.



W.H. Directory Reference 99 Edition
Firestop Device
W.H. Design No. PS/PHV 180-01
F Rating 3 Hrs.



PROSET[®]
SYSTEMS
FIRESTOP PENETRATOR™

DATE :
12-11-19
DRG. NO. :
E-1014-G