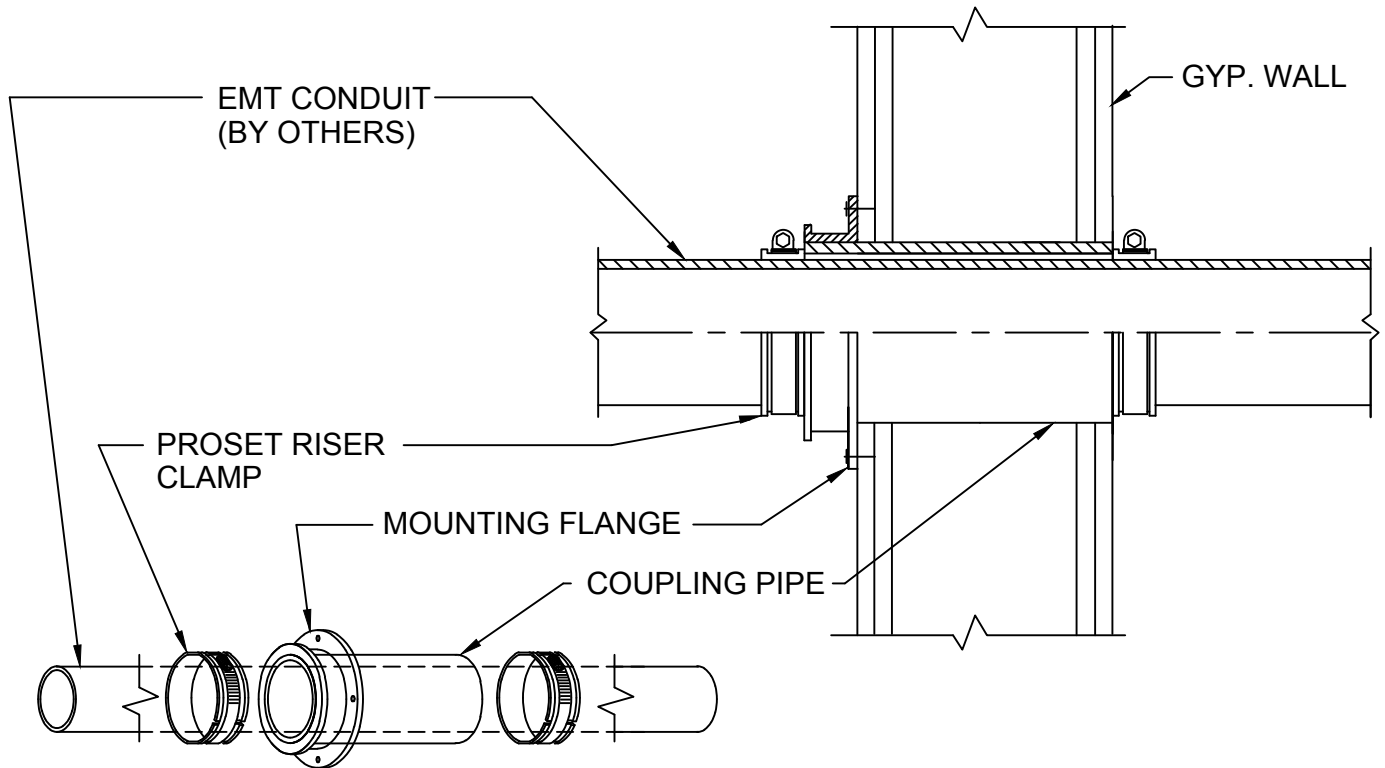


GYPSUM WALL PENETRATION

FOR 2" EMT CONDUIT AND LARGER
FOR 2 HR. GYPSUM WALLS



Pipe	Size	Part No.	Description	Price	Unit Total
EMT	2"	P2543H-B or G-GW A02214 (2)	2" Sleeve Coupling 2" Riser Clamp	6.95 5.90	12.85
EMT	2½"	P3843H- GW A03212 (2)	2½" Sleeve Coupling 2½" Riser Clamp	11.55 7.70	19.25
EMT	3"	P3543H- B or G-GW A03214 (2)	3" Sleeve Coupling 3" Riser Clamp	9.55 6.60	16.15
EMT	4"	P4543H- B or G-GW A04214 (2)	4" Sleeve Coupling 4" Riser Clamp	12.40 8.30	20.70
EMT	5"	P6843H-GW A05214 (2)	5" Sleeve Coupling 5" Riser Clamp	27.25 13.20	40.45
EMT	6"	P6543H-GW A06214 (2)	6" Sleeve Coupling 6" Riser Clamp	19.70 13.50	33.20

Use suffix EMT when ordering Riser Clamps.



W.H. Directory Reference 97 Edition
Firestop Device
W.H. Design No. PS/PV 120-01
F Rating 2 Hrs.



PROSET[®]
SYSTEMS
FIRESTOP PENETRATOR™

DATE :
12-11-19
DRG . NO .
E-1015-F