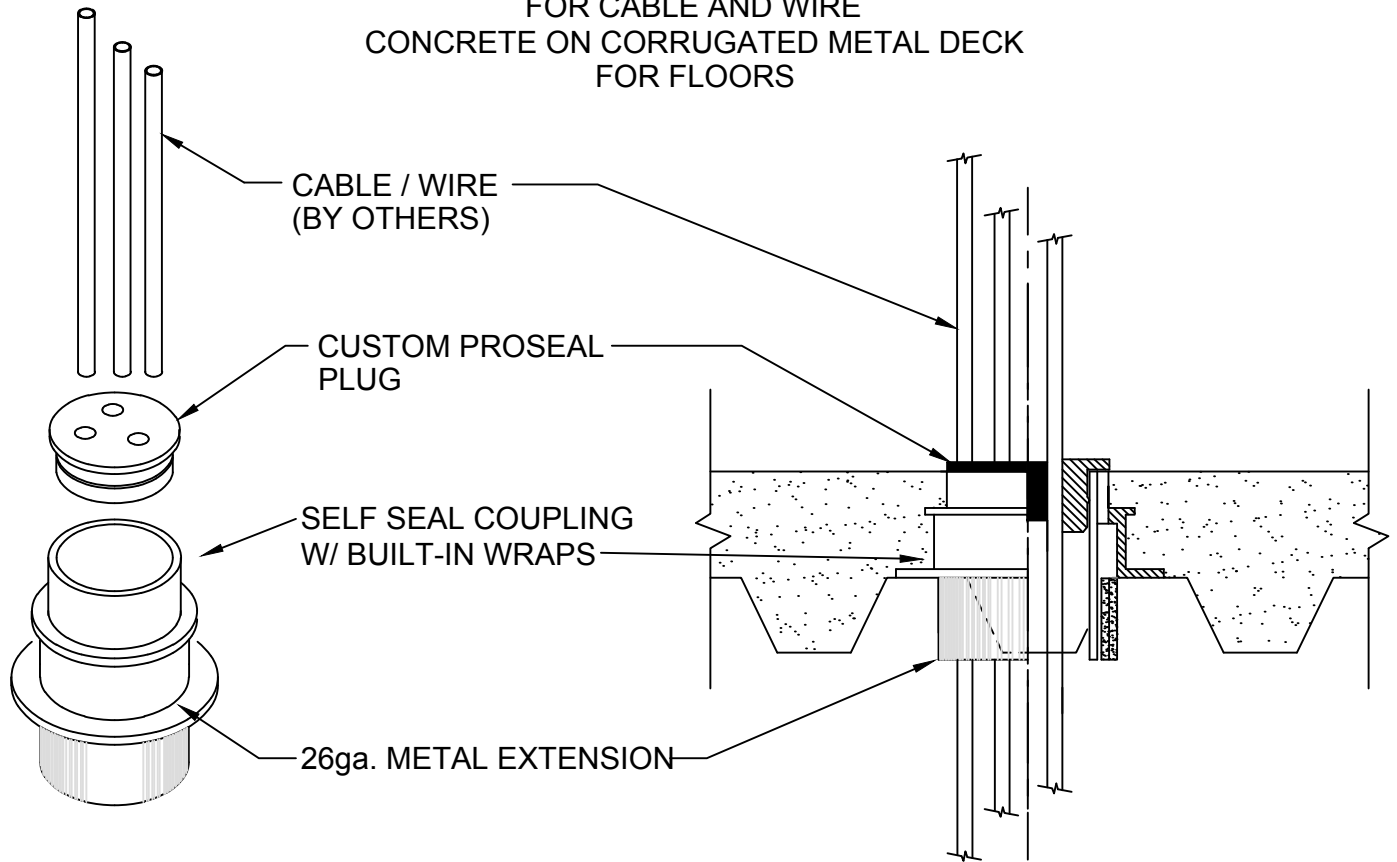


# CAST IN PLACE PENETRATION

FOR CABLE AND WIRE  
CONCRETE ON CORRUGATED METAL DECK  
FOR FLOORS



Size	Part No.	Description	Price	Unit Total
2"	P2549H-G-CM	2" Self Seal CM Coupling	18.45	
Multi-hole	C20000	Blank ProSeal Plug	2.65	
				21.10

Note: Call for pricing on larger sizes



W.H. Directory Reference 99 Edition  
Firestop Device  
W.H. Design No. PS/PH 120-14  
F Rating 2 Hrs.



**PROSET**<sup>®</sup>  
**SYSTEMS**  
FIRESTOP PENETRATOR™

DATE :  
12-12-19

DRG . NO .  
E-1003-C