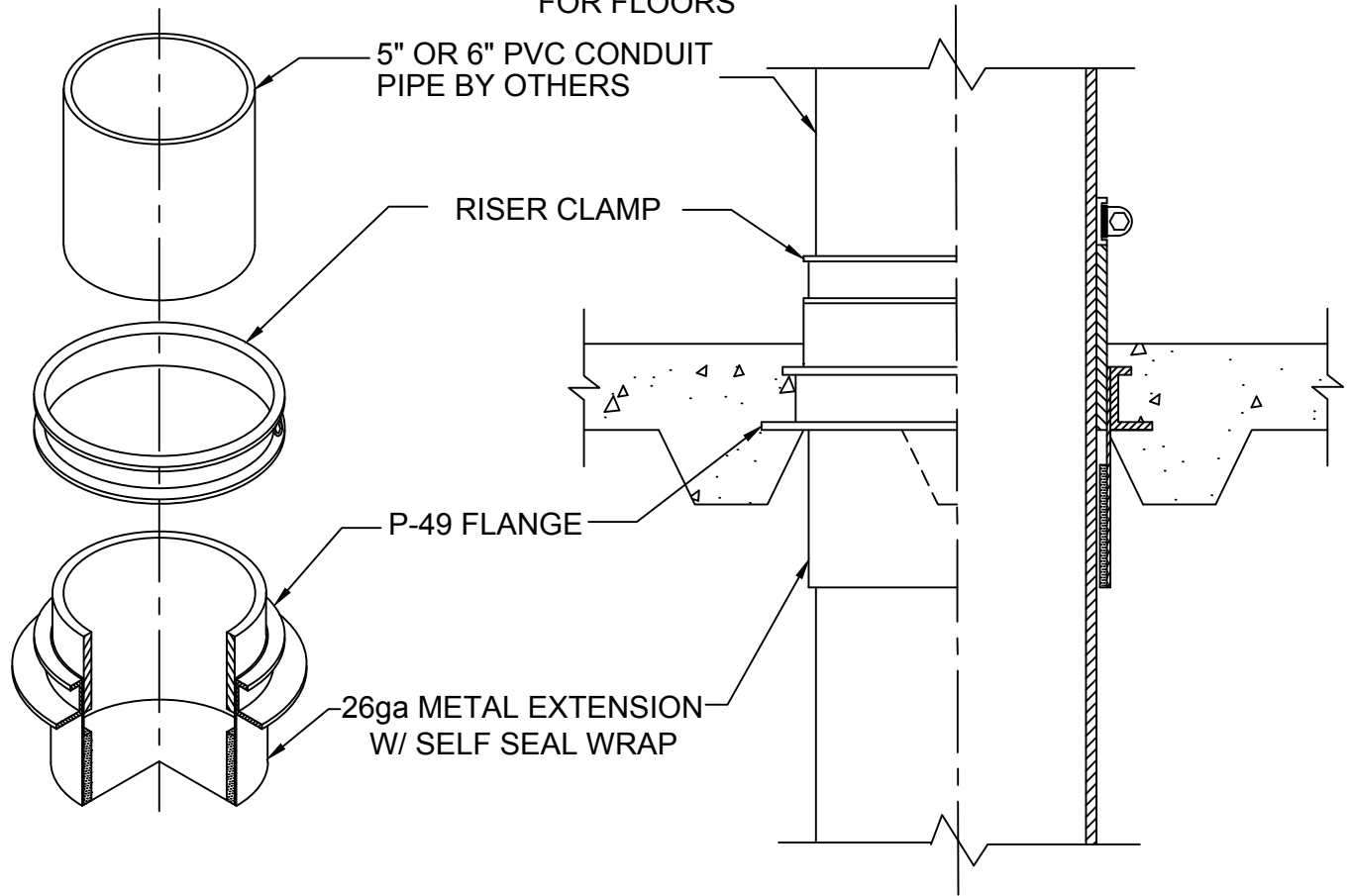


# CAST IN PLACE PENETRATION

FOR 5" AND 6" PVC CONDUIT  
CONCRETE ON CORRUGATED METAL DECK  
FOR FLOORS



Conduit Size	Part No.	Description	Price
5"	P5549H-CM	5" Self Seal CM Coupling	\$78.50
	A05214-S	5" PVC Riser Clamp	\$6.60
6"	P6549H-B-CM	6" Self Seal CM Coupling	\$73.15
	A06214-S	6" PVC Riser Clamp	\$6.75



W.H. Directory Reference 2012 Edition  
Firestop Device  
W.H. Design No. PS/PH 180-05  
F Rating 3 Hrs.



**PROSET**<sup>®</sup>  
**SYSTEMS**  
FIRESTOP PENETRATOR™

DATE :  
12-12-19  
DRG . NO .  
E-9049-CC6