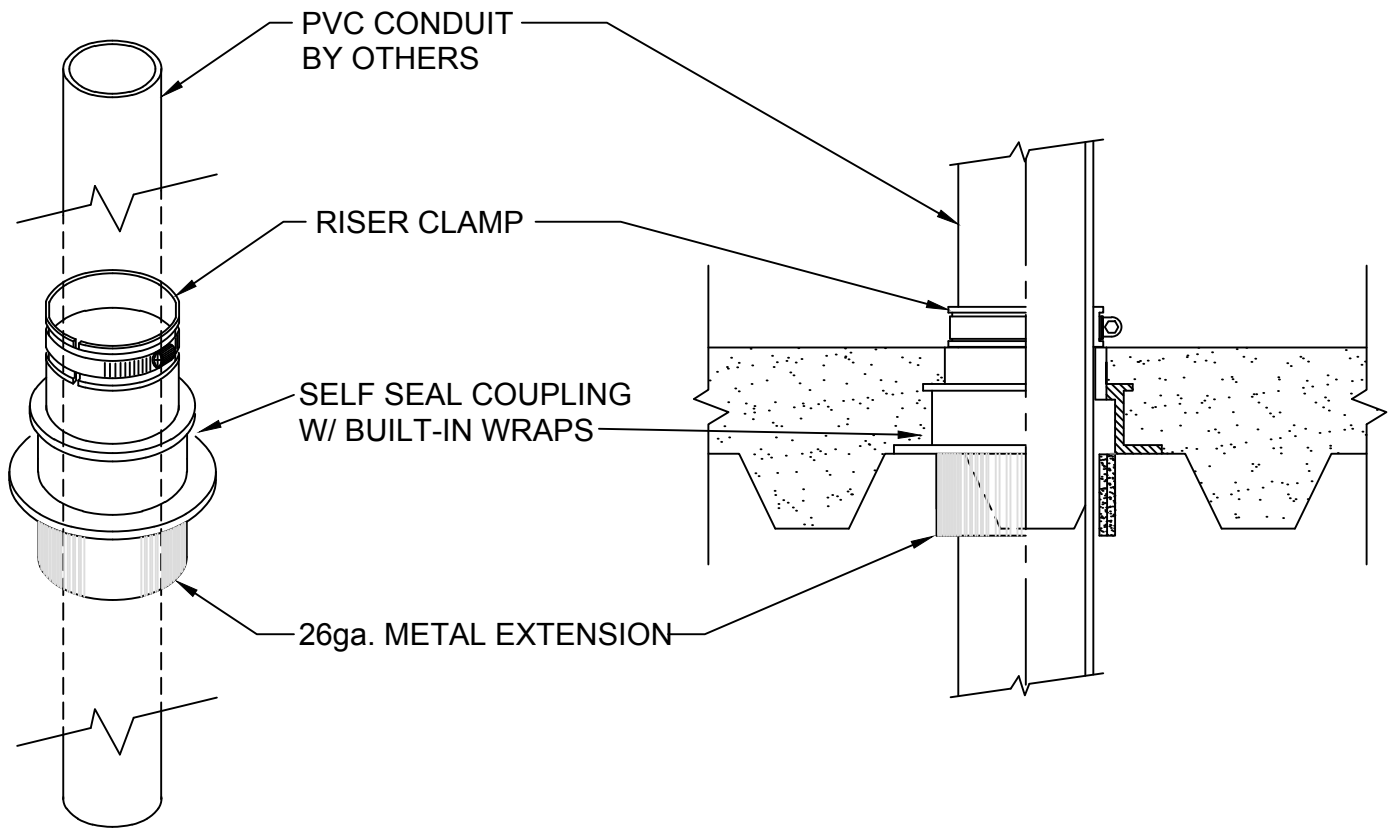


CAST IN PLACE PENETRATION

FOR 3½" AND 4" PVC CONDUIT
CONCRETE ON CORRUGATED METAL DECK
FOR FLOORS



Conduit Size	Part No.	Description	Price	Unit Total
3½" PVC	P4849H-G-CM	3½" Self Seal Sleeve	50.50	
3½" PVC	A03312-P	3½" Riser Clamp	5.10	55.60
4" PVC	P4549H-G-CM	4" Self Seal Sleeve	45.95	
4" PVC	A04214-P	4" Riser Clamp	4.15	50.10

Coupling has 3" metal extension below the mounting flange.



W.H. Directory Reference 99 Edition
Firestop Device
W.H. Design No. PS/PH 120-14
F Rating 2 Hrs.

PROSET[®]
SYSTEMS

DATE :
12-16-19

DRG . NO .
E-9049-C