

FIRESTOP SYSTEMS

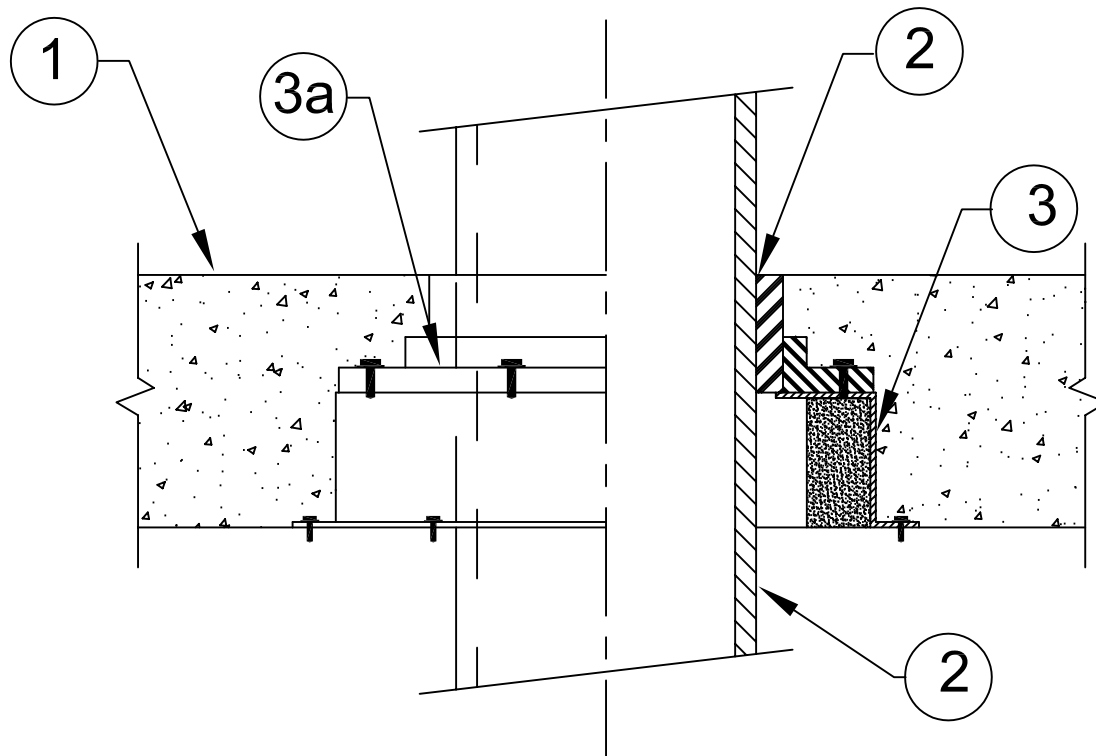
ProSet Systems, Inc.
1355 Capital Circle Lawrenceville, GA 30043-5866 U.S.A.

Design No. PS/PH 120-16

Horizontal (Floor)

Ratings: ASTM E-814 - 2 Hrs. (F), 2 Hrs. (T)

Test Pressure Differential - 2.5 Pa (0.01 in. of Water) Minimum



1. Floor:

Minimum 4-1/2" thick normal density concrete slab. Where floor slab thickness is less than 5-1/2 in., masonry grout is applied around the mounting flange of the firestop device, flush to the top of the mounting flange to a 3 in. width.

2. Pipe Materials & Pipe Support:

Maximum 6" diameter Sch. 40, PVC. Supported at penetration by solvent cementing the plastic pass through pipe to the PVC sleeve coupling.

3. Firestop System Components:

3. Factory Built 9" X 8 1/2" X 4" 22 Gauge Metal Box* with Built-in 3/4" Wide X 4" High Single Intumescent Red Wrap Strips tightly installed on all four sides.

3a. ProSet PVC Mounting Flange* with PVC Coupling Pipe Factory Mounted to Metal Box*.

* Component Bearing the Warnock Hersey International Certification Mark.