

FIRESTOP SYSTEMS

ProSet Systems, Inc.

1355 Capital Circle Lawrenceville, GA 30043-5866 U.S.A.

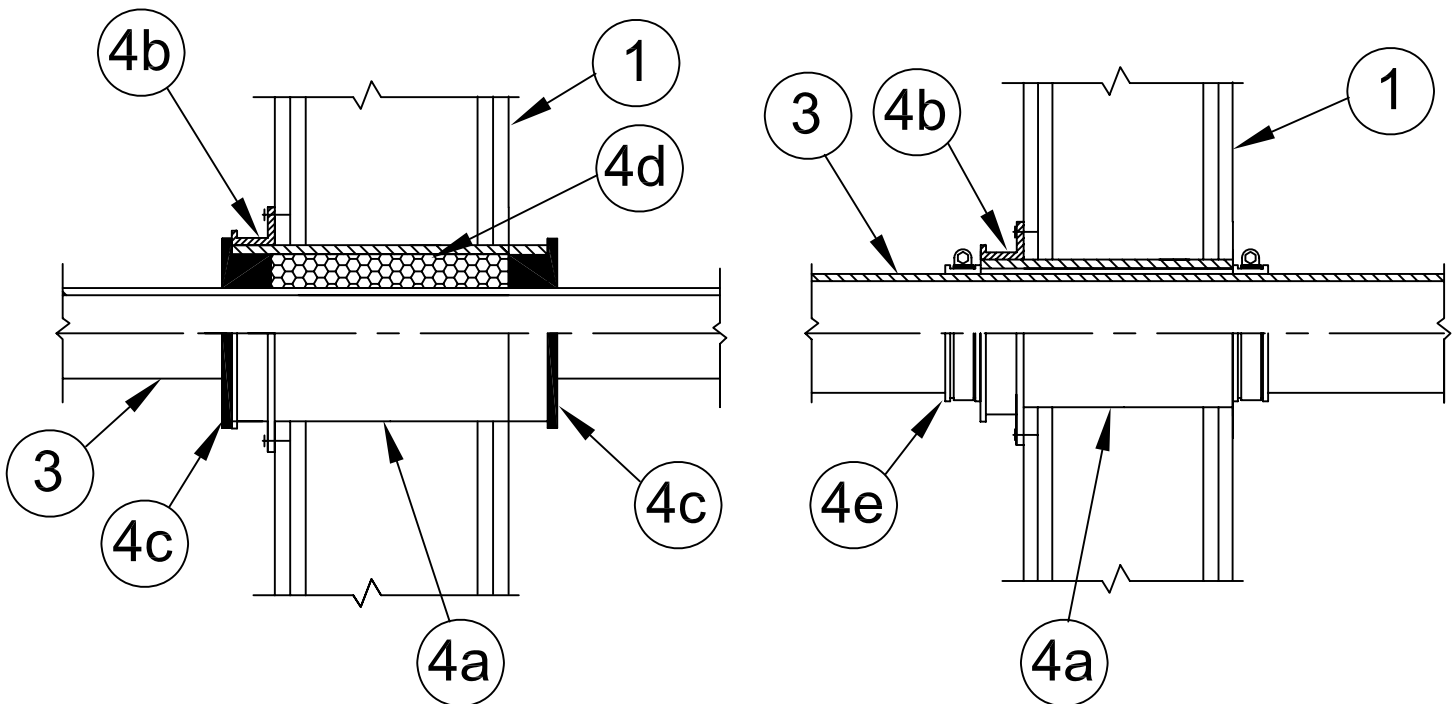
Design No. PS/PV 120-01

Vertical (wall)

Ratings:

PENETRATION (PIPE)		MAXIMUM RATINGS		
Material	Size	E-814	F	T
		S-115	F/FH	FT/FTH
Steel	1/2" - 6"		2 Hrs.	0
Copper	1/2"-1-1/2"		2 Hrs.	0
Plastic Pipe	1/2"-1-1/2"		2 Hrs.	2 Hrs.

Test Pressure Differential - 50 Pa (0.20 in. of Water) Minimum



1. Wall:

Gypsum board / steel or wood stud wall, with minimum 2-1/2" cavity width, having a fire resistance rating equivalent to system rating desired.

2. Pipe Support: (not shown)

Pipe shall be reliably supported on both sides of wall assembly.

3. Pipe Material:

Metallic: 1/2"- 6" C.I, Steel & Copper. Non-Metallic: 1/2"- 1-1/2" CPVC, PE, PB, PEX pipe & tubing

4. Firestop Device:

4a. ProSet PVC Coupling.

4b. Locating rings solvent welded to 4a. Seal Rings or Mounting Flange may be used.

4c. ProSet "ProSeal Plug"* installed on each end of coupling, for 1/2" through 1-1/2" Plastic or Metallic pipe.

4d. ProSet "Fire Fill" Ceramic Fibre Insulation tightly packed around pipe.

4e. ProSet Riser Clamp, for 2" through 6" metallic pipe only.

* Component Bearing the Warnock Hersey International Certification Mark.