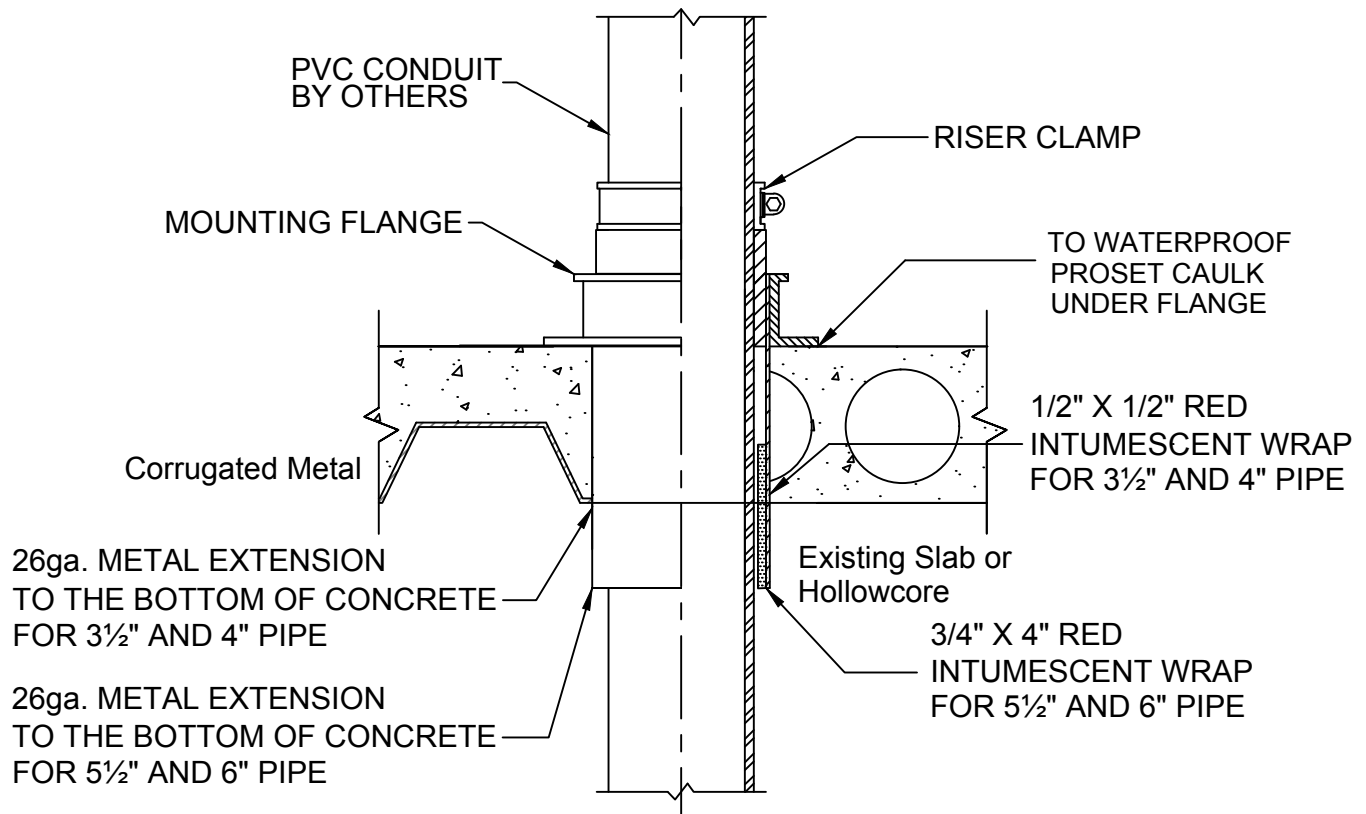


# CORED HOLE PENETRATION

FOR PVC CONDUIT 3½" THROUGH 6"  
PRECAST CONCRETE OR EXISTING CONCRETE FLOORS



## IMPORTANT NOTES :

1. Core a 9" hole completely through the concrete floor.
2. Insert the metal sleeve through the hole to extend 3" below the bottom of the concrete floor.
3. Secure both strips through the predrilled holes to secure the metal sleeve to the concrete floor.
4. Insert the 6" PVC pass through pipe through the #43 mounting flange and sleeve.
5. ProSet's adhesive caulking can be used on the bottom of flange to waterproof the hole.
6. After passing the pipe through, tighten the ProSet Riser Clamp to secure the pipe to the sleeve.

Refer to test listings for minimum floor thickness and F/FH rating.



W.H. Directory Reference 11 Edition  
Firestop Device  
W.H. Design No. PS/PH 120-14 &  
W.H. Design No. PS/PH 180-05 &  
W.H. Design No. PS/PHV 180-03  
F Rating 3 Hrs. ASTM E-814

**PROSET**<sup>®</sup>  
**SYSTEMS**

DATE :  
12-16-19  
DRG . NO .  
E-9049-D