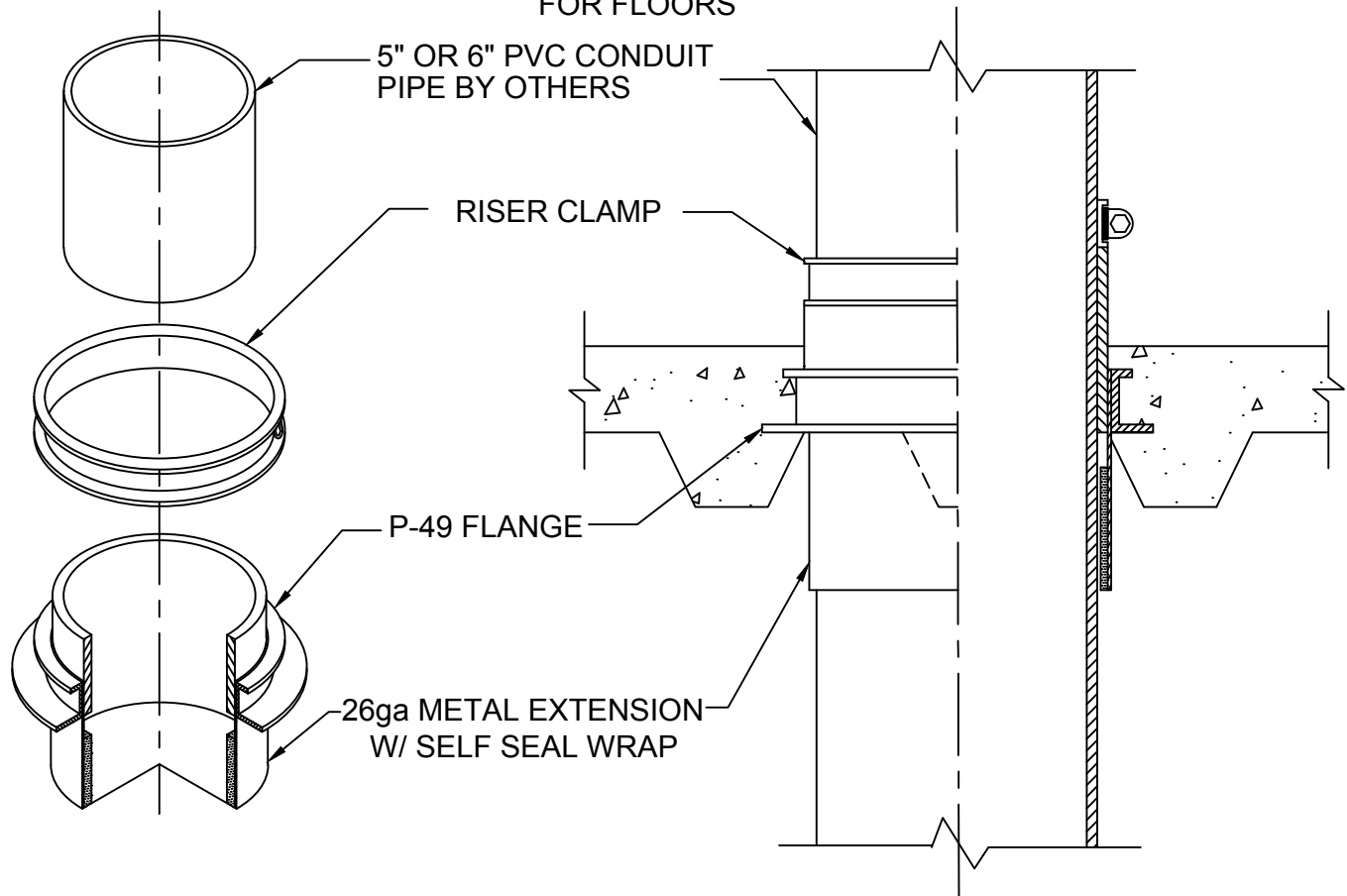


CAST IN PLACE PENETRATION

FOR 5" AND 6" PVC CONDUIT
CONCRETE ON CORRUGATED METAL DECK
FOR FLOORS



IMPORTANT NOTES :

1. Cut a 9" diameter hole through the metal deck to insert the 26 ga. metal sleeve through to the bottom or below the deck.
2. Secure the Self Seal metal sleeve through the mounting flange holes with sheet metal screws to the metal deck.
3. After the concrete is poured, remove the protective cap and insert plastic pipe through the firestop device. Use a dauber to swab solvent cement around the pass through pipe or use the ProSet Riser Clamp to support the pass through pipe.



W.H. Directory Reference 2012 Edition
Firestop Device
W.H. Design No. PS/PH 180-05
F Rating 3 Hrs.



PROSET[®]
SYSTEMS
FIRESTOP PENETRATOR™

DATE :

12-12-19

DRG . NO .

E-9049-CC6