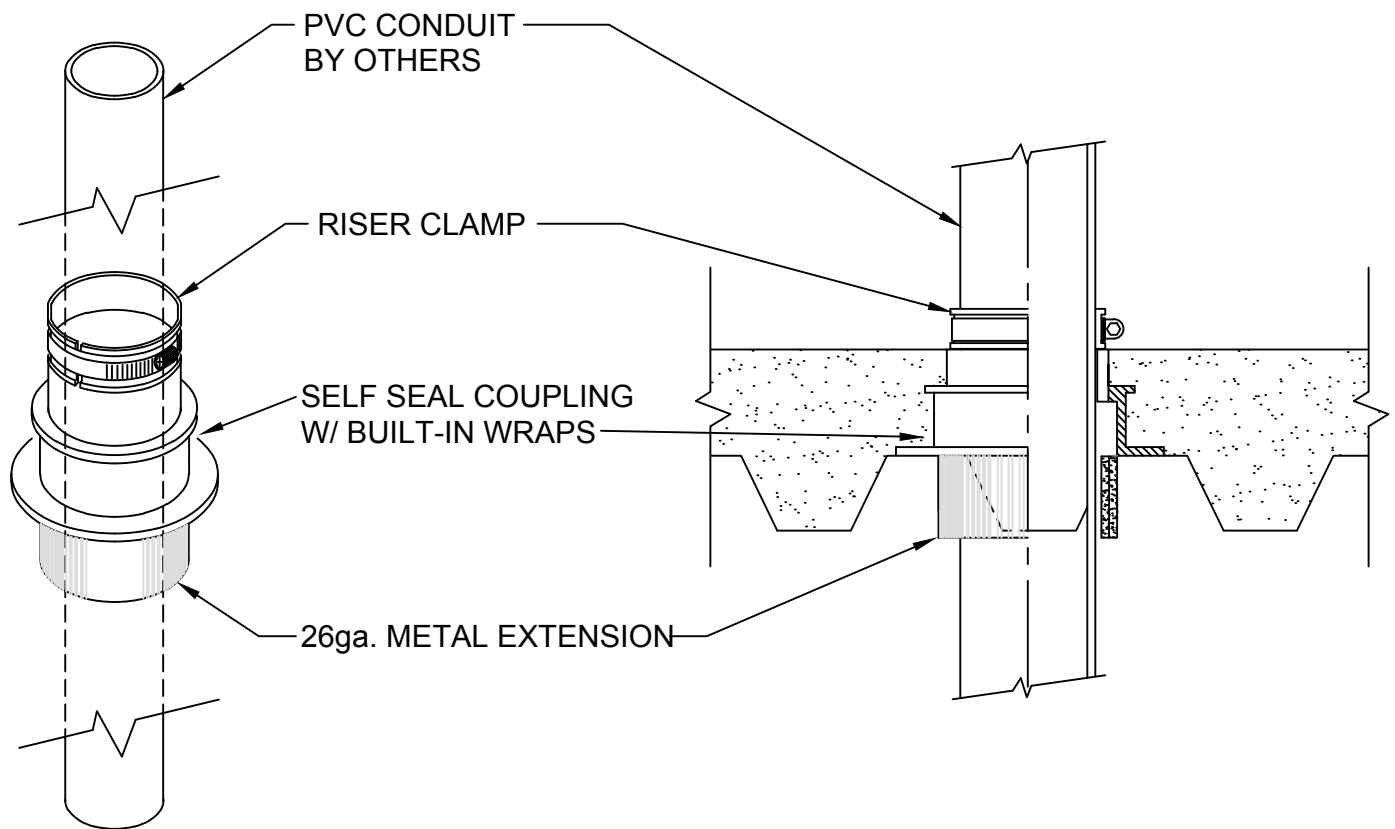


CAST IN PLACE PENETRATION

FOR 3½" AND 4" PVC CONDUIT
CONCRETE ON CORRUGATED METAL DECK
FOR FLOORS



IMPORTANT NOTES:

1. Cut hole through the corrugated metal deck to accommodate the 26 gauge metal extension to the bottom of the corrugations.
2. Mount the # 49 flange to the corrugated metal with sheet metal screws. If necessary use a right angle metal strip, S-34348, to span the corrugations.
3. After the pour, remove protective cap.
4. Pass the plastic pipe through the green lettered sleeve coupling.
5. Install riser clamp around pipe to support and draftstop.



W.H. Directory Reference 99 Edition
Firestop Device
W.H. Design No. PS/PH 120-14
F Rating 2 Hrs.



PROSET[®]
SYSTEMS
FIRESTOP PENETRATOR™

DATE :
12-12-19
DRG . NO .
E-9049-C