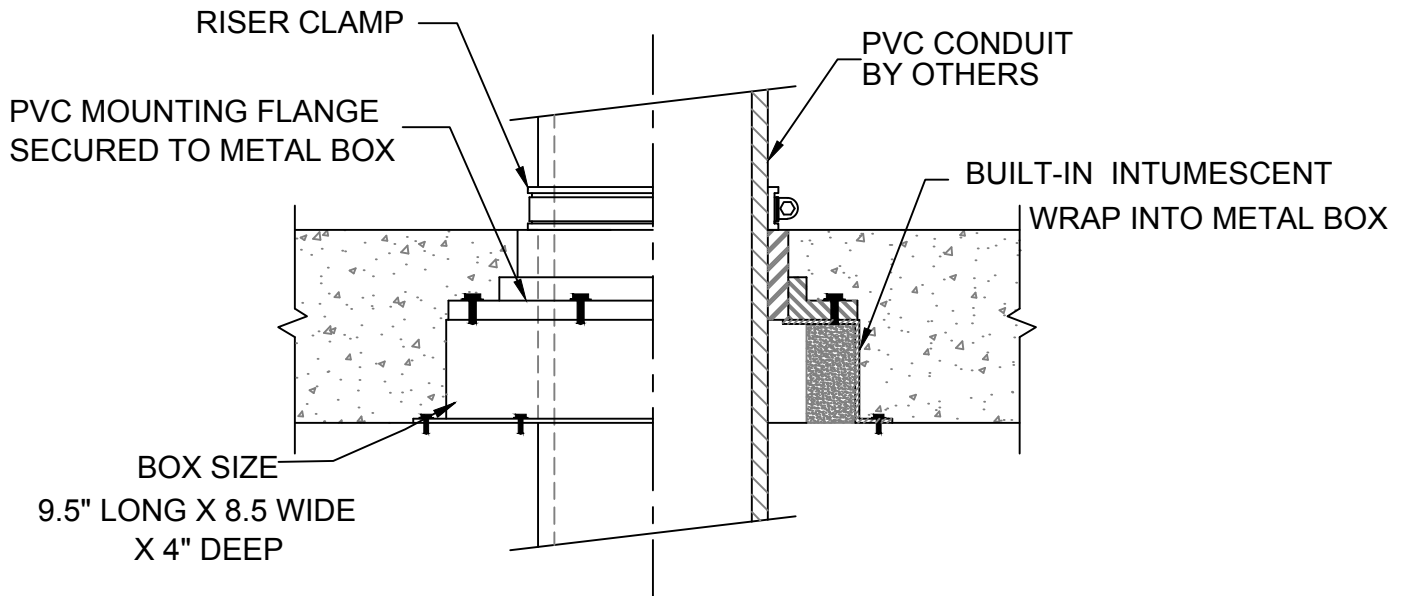


# CAST IN PLACE PENETRATION

FOR 5" AND 6" PVC CONDUIT  
POUR CONCRETE ON WOOD FORM  
FOR FLOORS



## IMPORTANT NOTES :

1. Use nails through the holes in the metal box to mount the 6" Self-Seal unit to the deck form.
2. After concrete is poured, remove protective concrete cap.
3. Insert the through pipe from either the top or the bottom side of the PVC Coupling top extension, swab solvent cement around the top coupling where the PVC pipe penetrates to secure and waterproof the pass through piping.



W.H. Directory Reference 02 Edition  
Firestop Device  
W.H. Design No. PS/PH 120-16  
F Rating 2 Hrs.



**PROSET**<sup>®</sup>  
**SYSTEMS**  
FIRESTOP PENETRATOR™

DATE :  
12-10-19  
DRG . NO .  
E-9049-A6