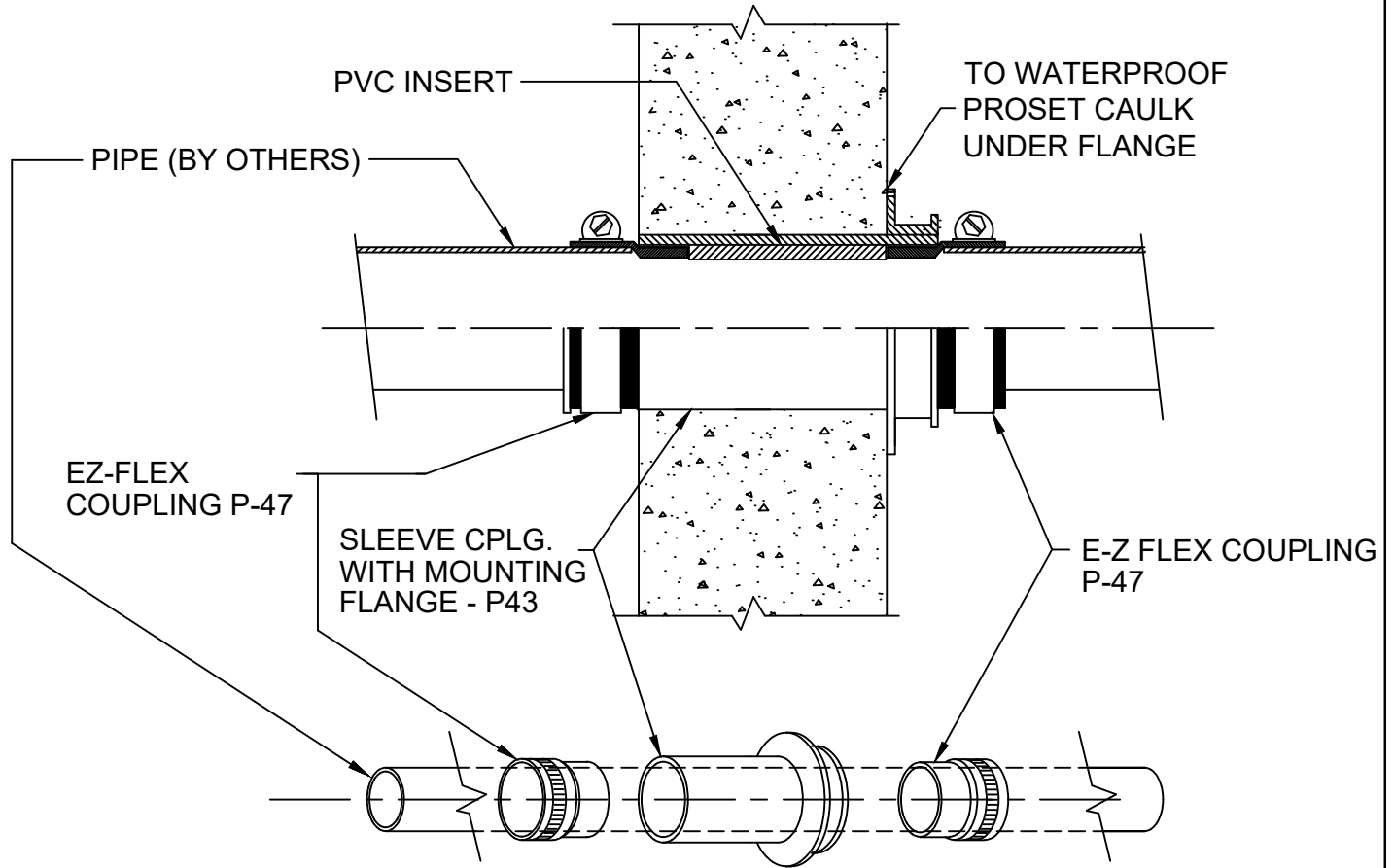


WATERPROOF PIPE PENETRATION

FOR PASSING THROUGH EXTERIOR CORED HOLE WALLS
FOR 4" PLASTIC OR METALLIC PIPE



Pipe Size	Core Size	Part No.	Description	Price	Unit Total
4"	5"	P4548H-CHE	4" Sleeve Coupling	\$14.50	\$26.60
		P45470	4" EZ-Flex (Qty. 2)	\$12.10	



W.H. Directory Reference 97 Edition
For Waterproofing Only



PROSET[®]
SYSTEMS
FIRESTOP PENETRATOR™

DATE :
09-02-2020
DRG . NO .
E-1019-DGR