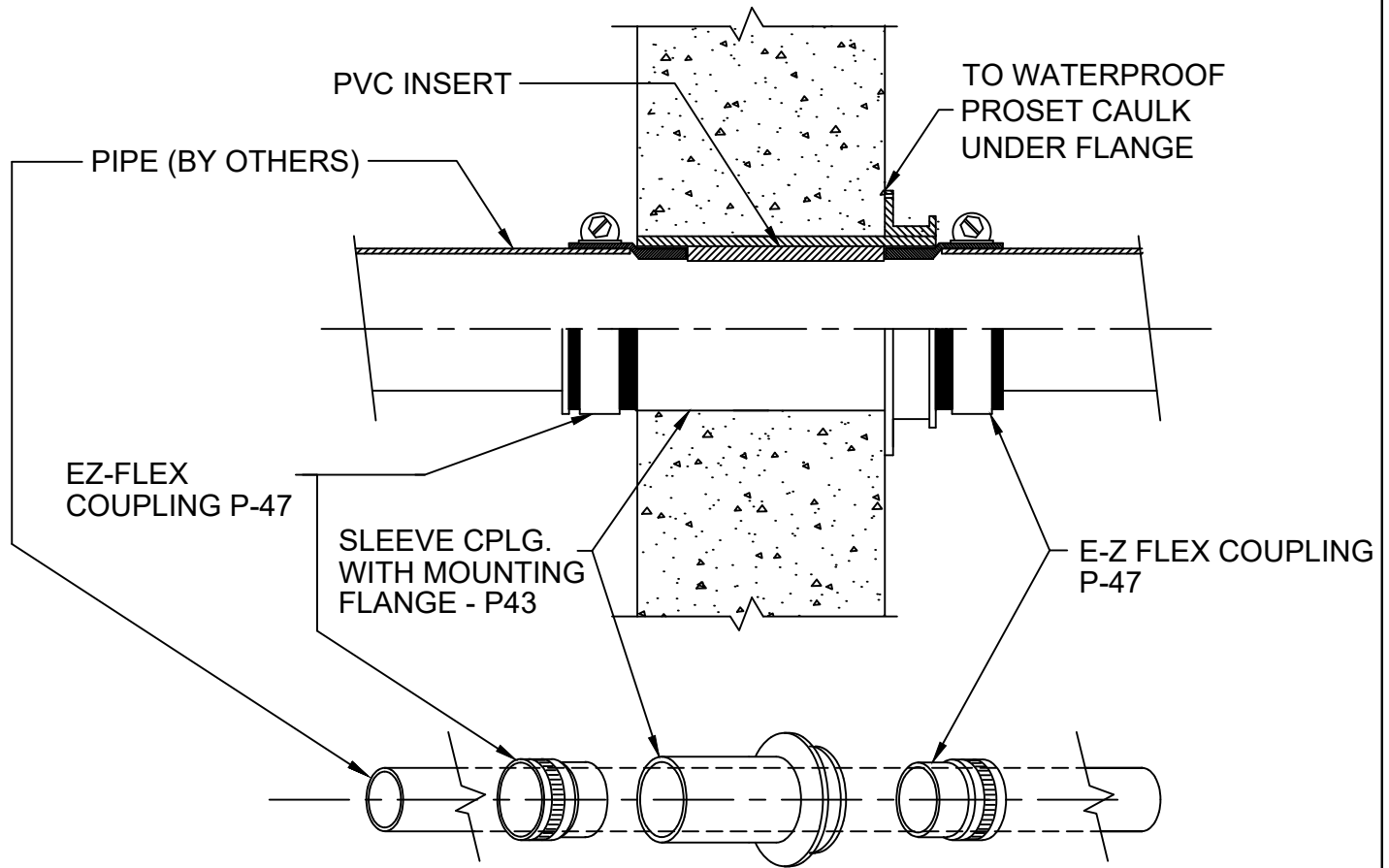


# WATERPROOF PIPE PENETRATION

FOR PASSING THROUGH EXTERIOR CORED HOLE WALLS  
FOR 4" PLASTIC OR METALLIC PIPE



## IMPORTANT NOTES :

1. Insert the sleeve coupling into the cored hole after using ProSet caulk around the flange.
2. Anchor mounting flange to the concrete through the holes in the flange.
3. Insert & Solvent cement the E-Z Flex couplings into one or both sides of the coupling.
4. Connect pipes to both sides of penetration into the EZ-Flex couplings. Tighten down on the clamp worm to seal and waterproof the penetration.

Note: Use ProSet's Special Solvent Cement to join the EZ-Flex coupling into the rigid fitting.

ABOVE UNIT CAN BE OPTIONALLY MADE AT FACTORY



W.H. Directory Reference 97 Edition

For Waterproofing Only



**PROSET**<sup>®</sup>  
**SYSTEMS**  
FIRESTOP PENETRATOR™

DATE :  
09-02-2020

DRG . NO .  
E-1019-DGR