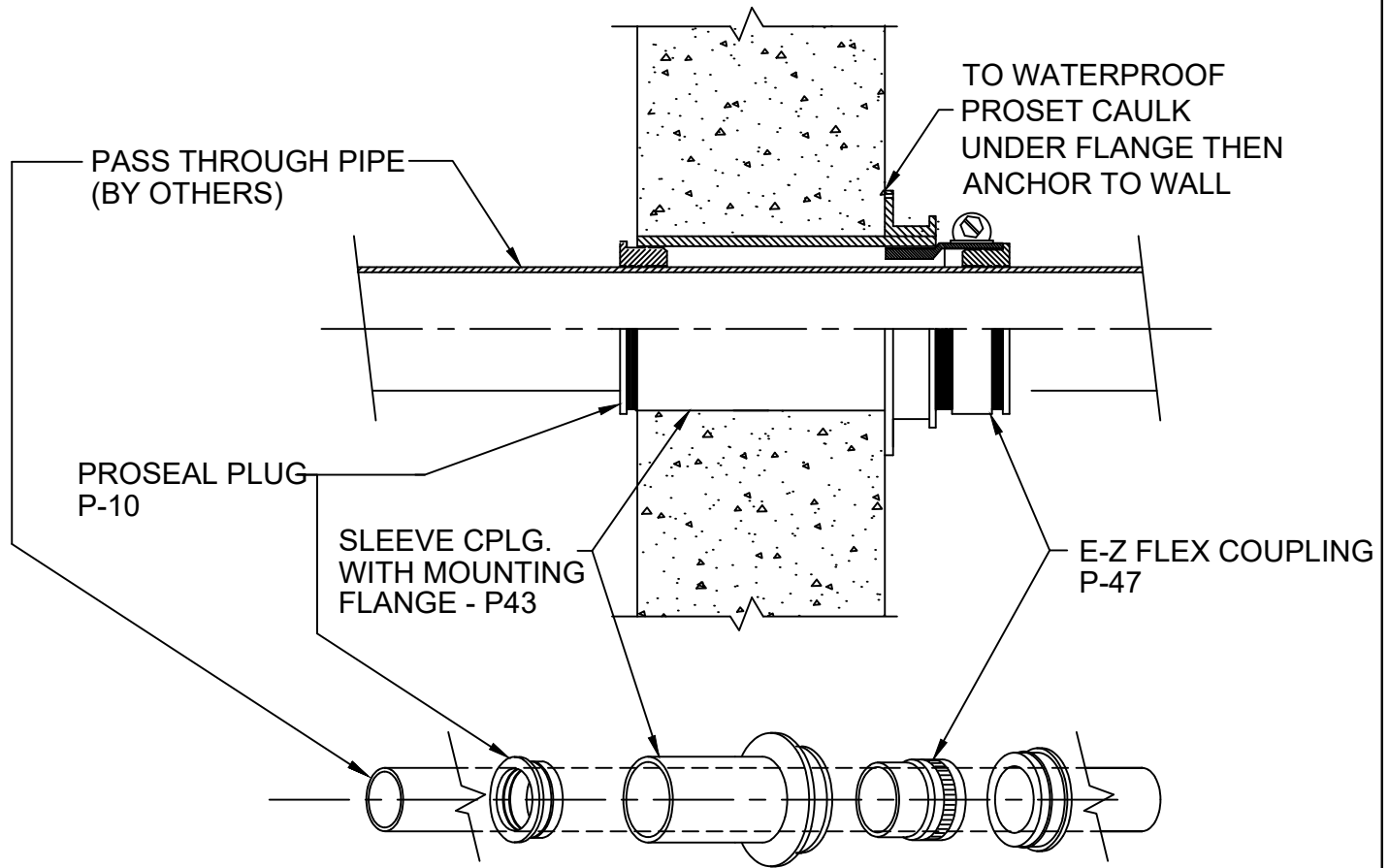


WATERPROOF PIPE PENETRATION

FOR PASSING THROUGH EXTERIOR CORED HOLE WALLS
FOR 1/2" THROUGH 3" PLASTIC OR METALLIC PIPE



Pipe Size	Core Size	Part No.	Description	Price	Unit Total
1/2" thru 1-1/2"	2-3/4"	P2543H-R-CHE	2" Sleeve Coupling	\$6.95	
		P25470	2" EZ-Flex	\$4.40	
1/2"		C20012	1/2" ProSeal Plug (Qty. 2)	\$5.30	
3/4"		C20034	3/4" ProSeal Plug (Qty. 2)	\$5.30	
1"		C20100	1" ProSeal Plug (Qty. 2)	\$5.30	
1-1/4"		C20114	1-1/4" ProSeal Plug (Qty. 2)	\$5.30	
1-1/2"		C20112	1-1/2" ProSeal Plug (Qty. 2)	\$5.30	\$16.65
2"	4"	P3545H-R-CHE	3" Sleeve Coupling	\$9.15	
		P35470	3" EZ-Flex	\$4.85	
		C30200	3"x2" ProSeal Plug (Qty. 2)	\$12.10	\$26.10
2-1/2"	4"	P3543H-R-CHE	3" Sleeve Coupling	\$9.15	
		P35470	3" EZ-Flex	\$4.85	
		C30212	3"x2-1/2" ProSeal Plug (Qty. 2)	\$14.30	\$28.30
3"	5"	P4543H-R-CHE	4" Sleeve Coupling	\$11.90	
		P45470	4" EZ-Flex	\$6.05	
		C40300	4"x3" ProSeal Plug (Qty. 2)	\$15.40	\$33.35



W.H. Directory Reference 97 Edition

For Waterproofing Only



PROSET[®]
SYSTEMS
FIRESTOP PENETRATOR™

DATE :
09-02-2020

DRG . NO .
E-1018-DGR