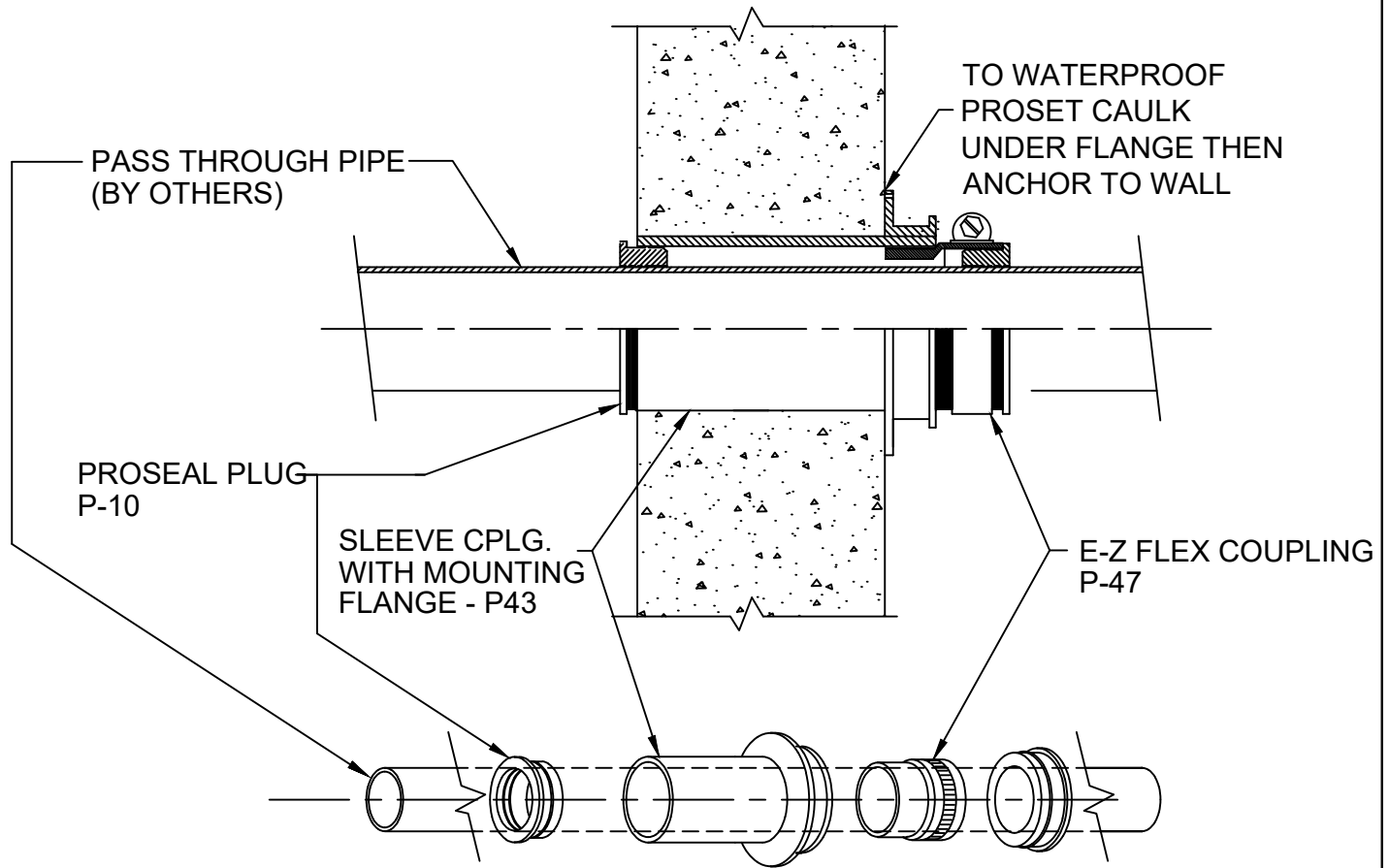


WATERPROOF PIPE PENETRATION

FOR PASSING THROUGH EXTERIOR CORED HOLE WALLS
FOR 1/2" THROUGH 3" PLASTIC OR METALLIC PIPE



IMPORTANT NOTES :

1. Insert the sleeve coupling into the cored hole after using ProSet caulk around the flange.
2. Anchor mounting flange to the concrete through the holes in the flange.
3. Insert & Solvent cement the E-Z Flex couplings into one or both sides of the coupling.
4. Insert the pass through pipe through the sleeve and install the split ProSeal Plugs around the pipe into the E-Z Flex couplings. Tighten down on the clamp worm to seal and waterproof the penetration.

Note: Use ProSet's Special Solvent Cement to join the flexible coupling into the rigid fitting.

ABOVE UNIT CAN BE OPTIONALLY MADE AT FACTORY



W.H. Directory Reference 97 Edition

For Waterproofing Only



PROSET[®]
SYSTEMS
FIRESTOP PENETRATOR™

DATE :
09-02-2020

DRG . NO .
E-1018-DGR