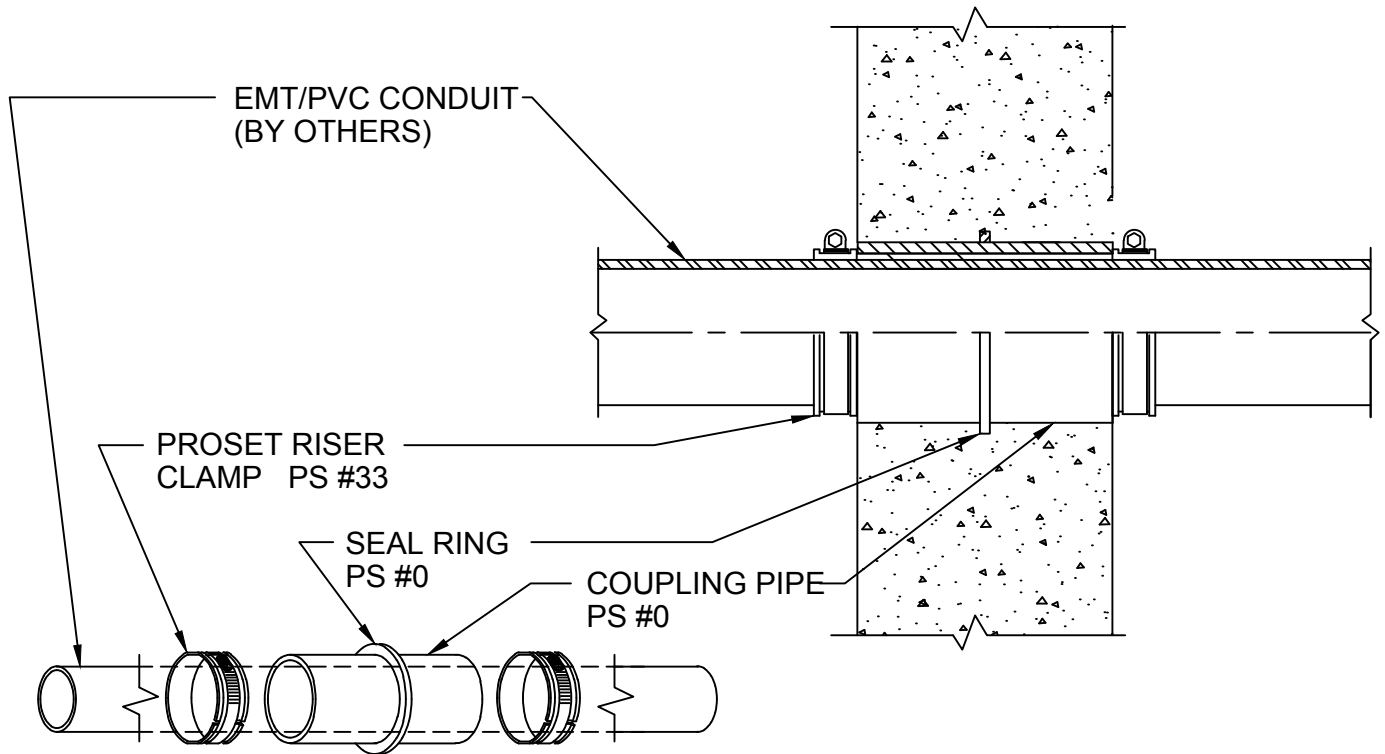


MASONRY WALL PENETRATION

FOR 2" AND LARGER PIPE
FOR BLOCK/BRICK WALLS



IMPORTANT NOTES :

1. Cut the Sleeve Coupling Pipe to the proper length to fit flush or extend out 1 1/2" on either side of wall.
2. Solvent weld a Seal Ring in the middle of Sleeve Pipe.
3. The Mason should mud the Sleeve Pipe in at the appropriate location.
4. Insert the pipe through the coupling.
5. Install Riser Clamps on both sides, flush with the wall Sleeve.
6. When ordering riser clamp - Use suffix EMT or P for PVC



W.H. Directory Reference 99 Edition
Firestop Device
W.H. Design No. PS/PHV 180-01
F Rating 3 Hrs.



PROSET[®]
SYSTEMS
FIRESTOP PENETRATOR™

DATE :
12-11-19
DRG . NO .
E-1014-G