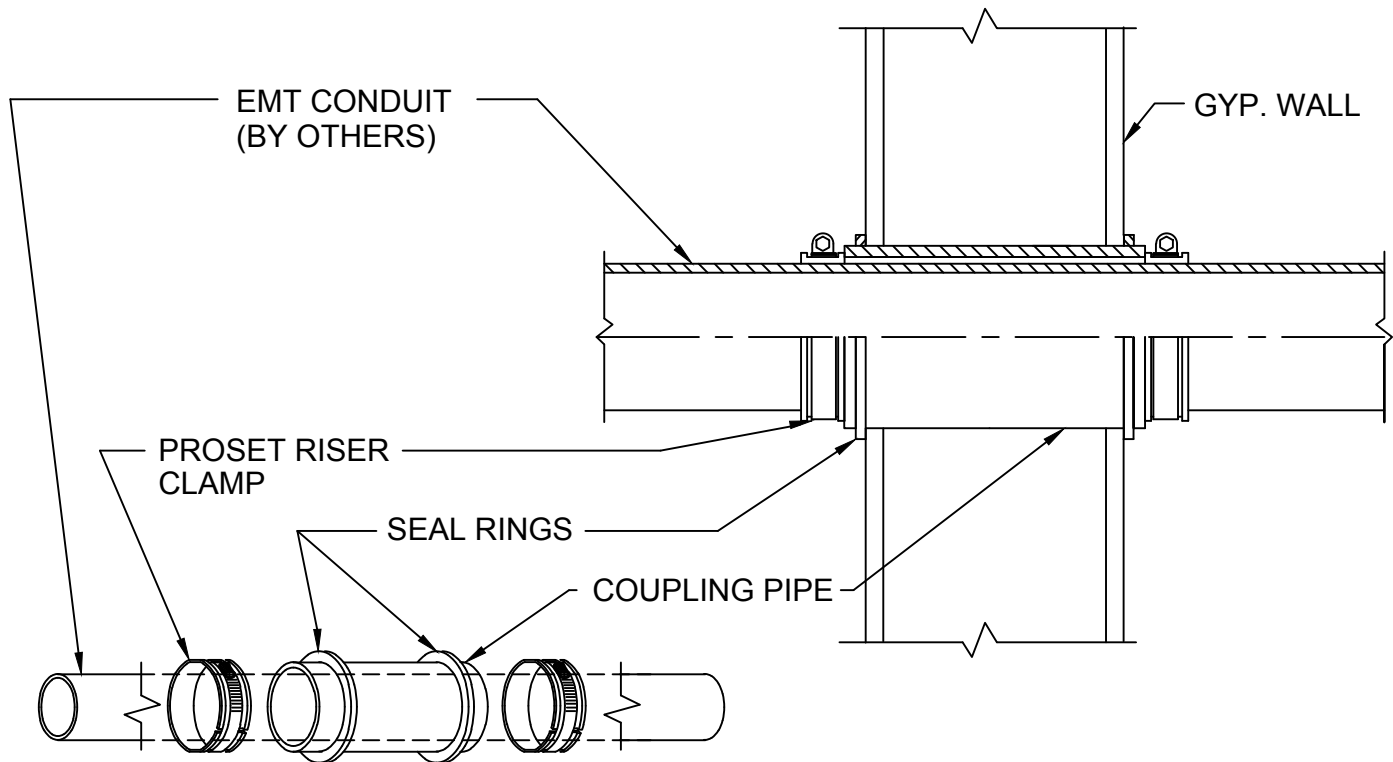


# GYPSUM WALL PENETRATION

FOR 2" EMT CONDUIT AND LARGER  
FOR 1 HR. GYPSUM WALLS



## IMPORTANT NOTES :

1. Cut the Sleeve Coupling Pipe to extend a minimum of 1" beyond either side of the wall.
2. Cut a neat 2 3/4" hole through drywall for 2" pipe, 4" for 3", 5" for 4" and 7 1/4" for 6". Gaps up to 1/4" around sleeve can be filled with drywall cement.
3. The Sleeve Pipe can be anchored to the wall by solvent welding a Seal Ring on both sides of the wall or by solvent welding a Mounting Flange to one side and anchor to the wall through the holes in flange.
4. Pass the pipe through the Sleeve Coupling Pipe.
5. Install proper size split Riser Clamps on both sides of the wall.
6. When ordering Riser Clamp - Use suffix EMT



W.H. Directory Reference 99 Edition  
Firestop Device  
W.H. Design No. PS/PV 120-01  
F Rating 2 Hrs.



**PROSET**<sup>®</sup>  
**SYSTEMS**  
FIRESTOP PENETRATOR™

DATE :  
12-11-19  
DRG . NO .  
E-1014-F