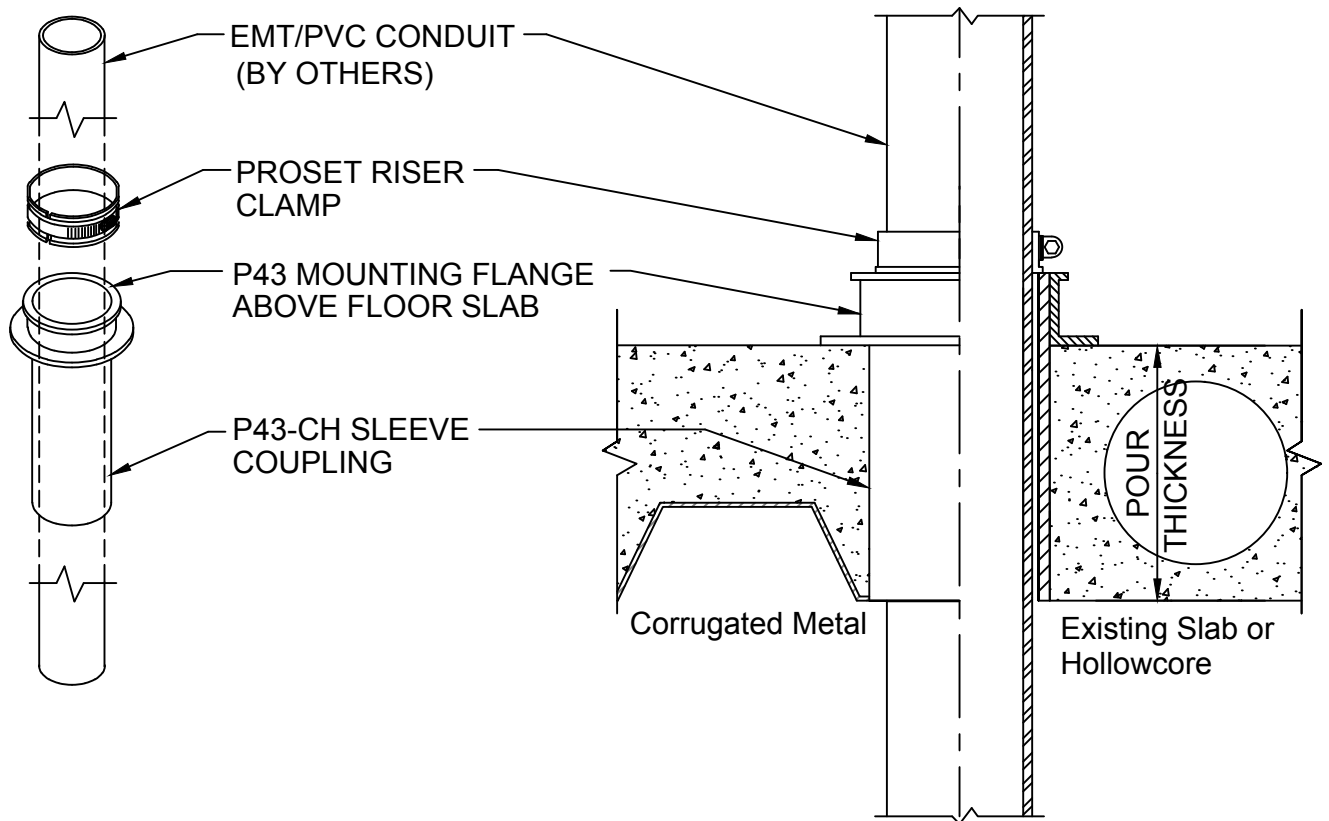


CORED HOLE PENETRATION

FOR 2" PIPE AND LARGER
PRECAST CONCRETE OR EXISTING CONCRETE
FOR FLOORS & WALLS



IMPORTANT NOTES :

1. Core a 2 3/4" hole for 2" - 4" hole for 2½" and 3" - 5" hole for 3½" and 4" - 7-1/2" for 6".
2. Install a bead of ProSet Caulk under the flange before inserting into the hole.
3. The flange can be secured to the floor through the predrilled holes.
4. Insert the pass through pipe through the coupling.
5. Install riser clamp around the pipe to support and draft stop.
6. When ordering riser clamp - Use suffix EMT or P for PVC.

Refer to test listings for minimum floor thickness and F/FH rating.



W.H. Directory Reference 97 Edition
Firestop Device
W.H. Design No. PS/PHV 120-05 &
W.H. Design No. PS/PHV 180-01
F Rating 2 Hrs.
ASTM E-814

PROSET[®]
SYSTEMS

DATE :
12-16-19
DRG . NO .
E-1014-D