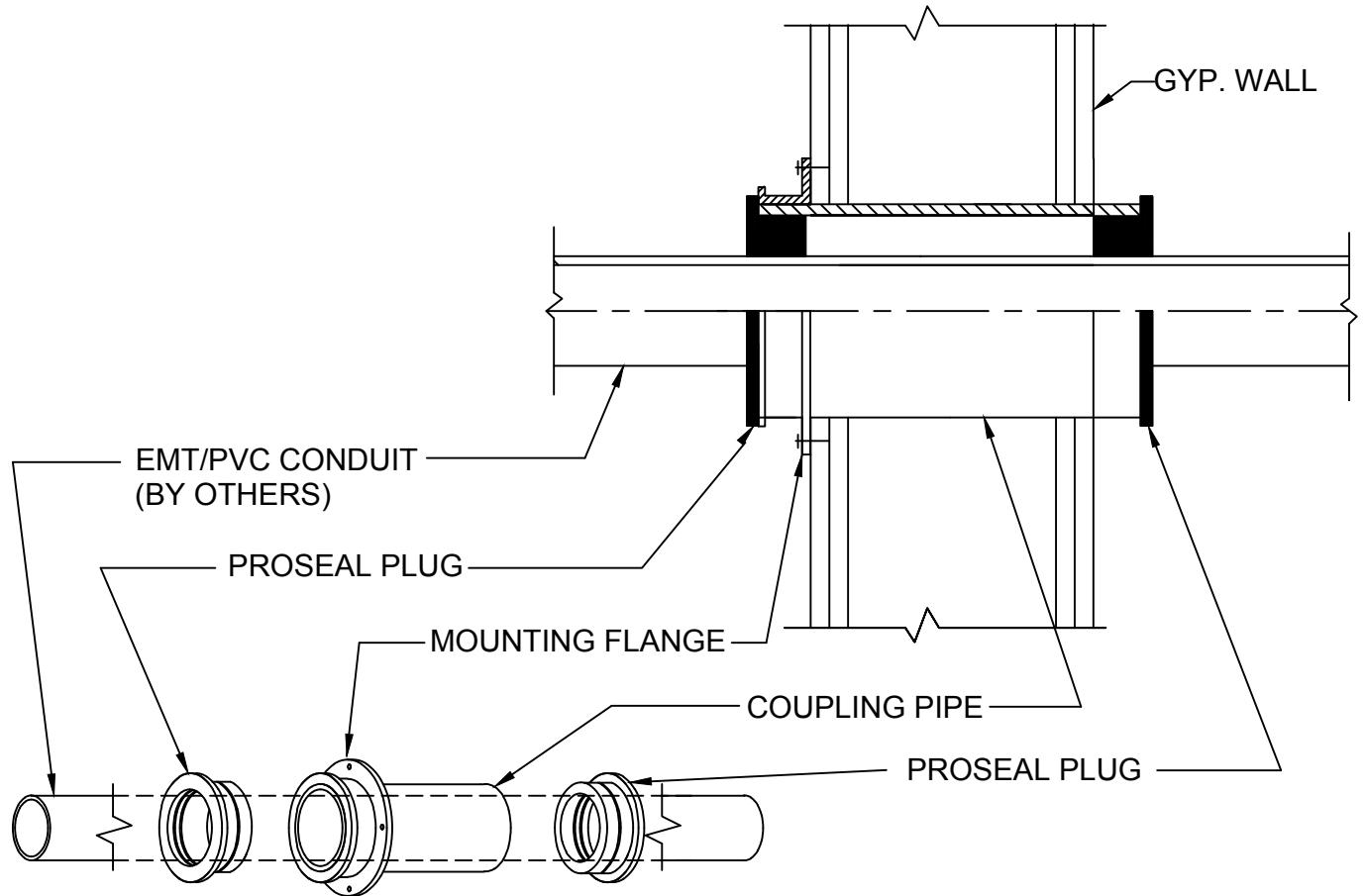


GYPSUM WALL PENETRATION

FOR 1/2" THROUGH 1 1/2" PIPE
FOR 2 HR. GYPSUM WALLS



IMPORTANT NOTES :

1. Cut the Sleeve Coupling Pipe to extend a minimum of 1" beyond either side of the wall.
2. Cut a neat 2 3/4" hole through the drywall for a proper fit. Gaps up to 1/4" around sleeve can be filled with drywall cement.
3. The Sleeve Pipe can be anchored to the wall by solvent welding a Mounting Flange to one side and anchor to the wall through the holes in the flange or solvent welding Seal Rings on both sides of the wall.
4. Pass the pipe through the Sleeve Coupling Pipe.
Fill the void between the pipe and the sleeve with Firefill material.
5. Install proper size split ProSet Plugs on both sides of the wall.



W.H. Directory Reference 99 Edition
Firestop Device
W.H. Design No. PS/PV 120-01
F Rating 2 Hrs.



PROSET[®]
SYSTEMS
FIRESTOP PENETRATOR™

DATE :
12-11-19
DRG . NO .
E-1013-F