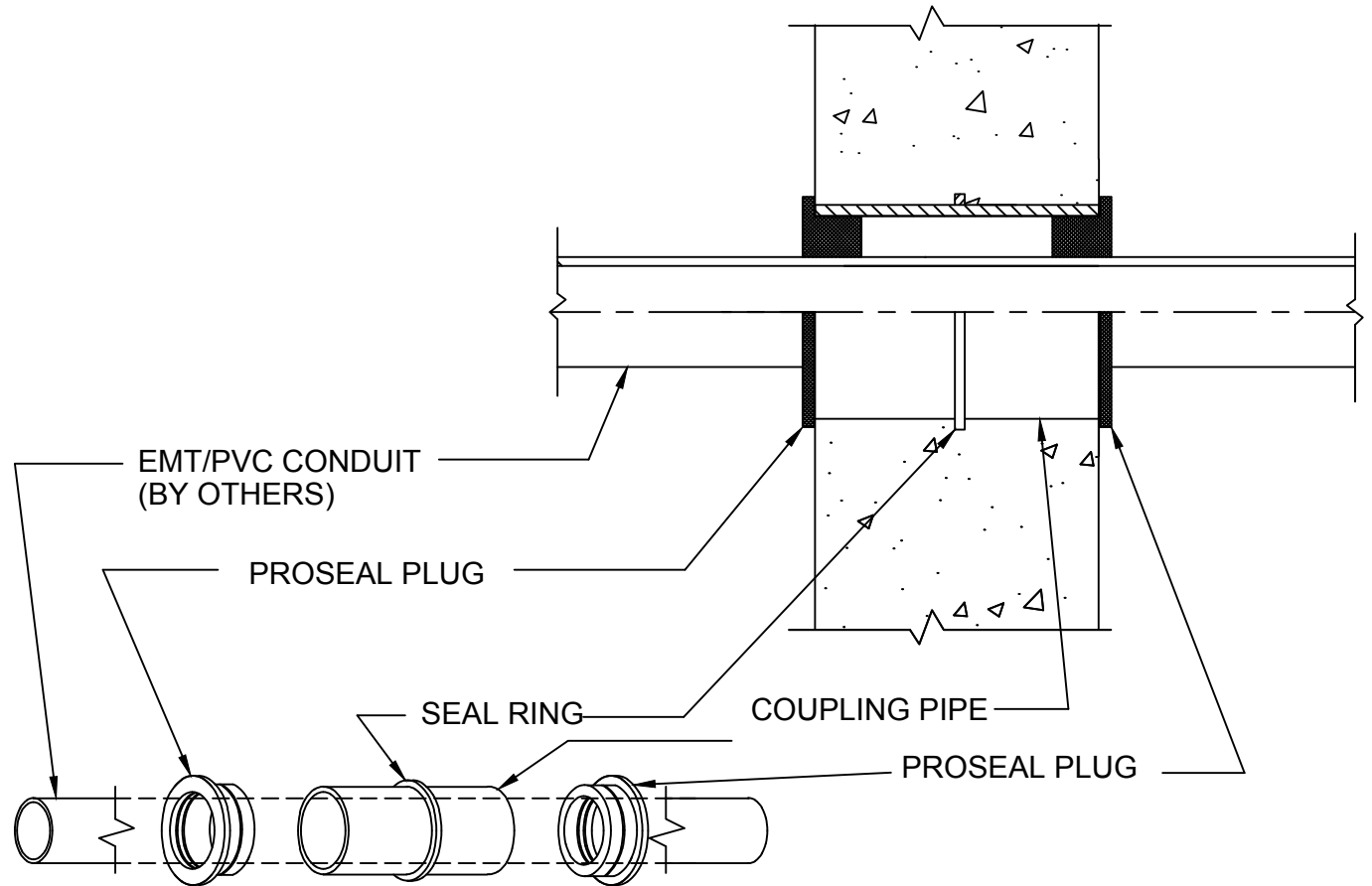


MASONRY WALL PENETRATION

FOR 1/2" THROUGH 1 1/2" PIPE
FOR BLOCK/BRICK WALLS



IMPORTANT NOTES :

1. Cut the Sleeve Coupling Pipe to the proper length to fit flush or extend out 1 1/2" on either side of wall.
2. Solvent weld a Seal Ring in the middle of Sleeve Pipe.
3. The Mason should mud the Sleeve Pipe in at the appropriate location.
4. Insert the pass through piping through the Sleeve Pipe.
5. Install the proper size Split ProSeal Plug on both sides of the wall.



W.H. Directory Reference 97 Edition
Firestop Device
W.H. Design No. PS/PHV 120-04
F Rating 2 Hrs.



PROSET[®]
SYSTEMS
FIRESTOP PENETRATOR™

DATE :
12-11-19
DRG . NO .
E-1011-G