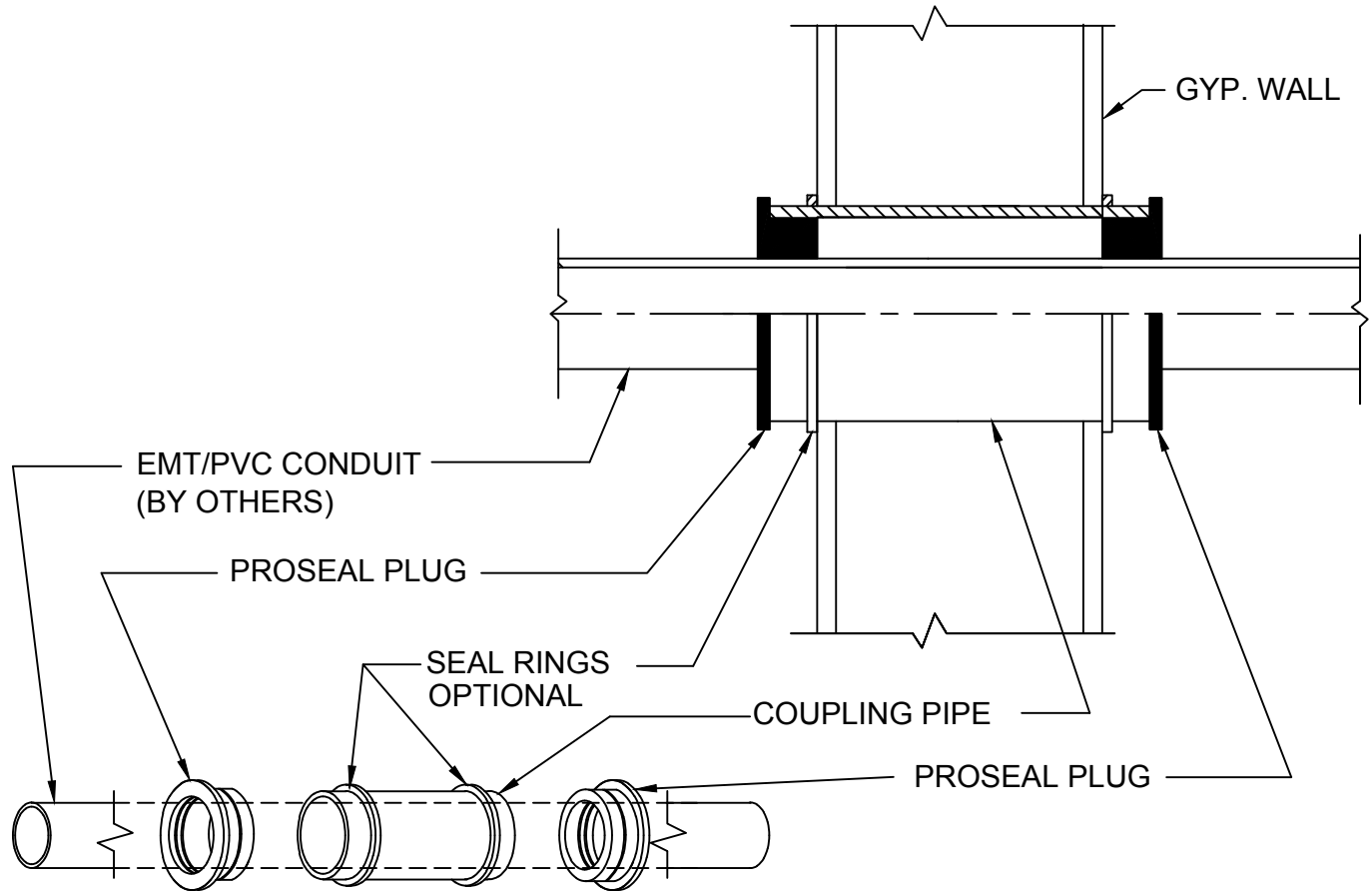


# GYPSUM WALL PENETRATION

FOR 1/2" THROUGH 1 1/2" PIPE  
FOR 1 HR. GYPSUM WALLS



## IMPORTANT NOTES :

1. Cut the Sleeve Coupling Pipe to extend a minimum of 1" beyond either side of the wall.
2. Cut a neat 2 3/4" hole through the drywall for a proper fit. Gaps up to 1/4" around sleeve can be filled with drywall cement.
3. The Sleeve Pipe can be anchored to the wall by solvent welding a Seal Ring on both sides of the wall or by solvent welding a Mounting Flange to one side and anchor to the wall through the holes in the flange. (See Drawing A-1013-F)
4. Pass the pipe through the Sleeve Coupling Pipe.
5. Install proper size split ProSet Plug on one side of the wall then fill the inside of the sleeve with Firefill material.
6. Install the second ProSeal Plug in the opposite side of the sleeve to complete the installation.
7. When ordering ProSeal Plugs use suffix EMT or P for PVC.



W.H. Directory Reference 99 Edition  
Firestop Device  
W.H. Design No. PS/PV 120-01  
F Rating 1 Hr or 2 Hrs.



**PROSET**<sup>®</sup>  
**SYSTEMS**  
FIRESTOP PENETRATOR™

DATE :  
12-11-19  
DRG . NO .  
E-1011-F