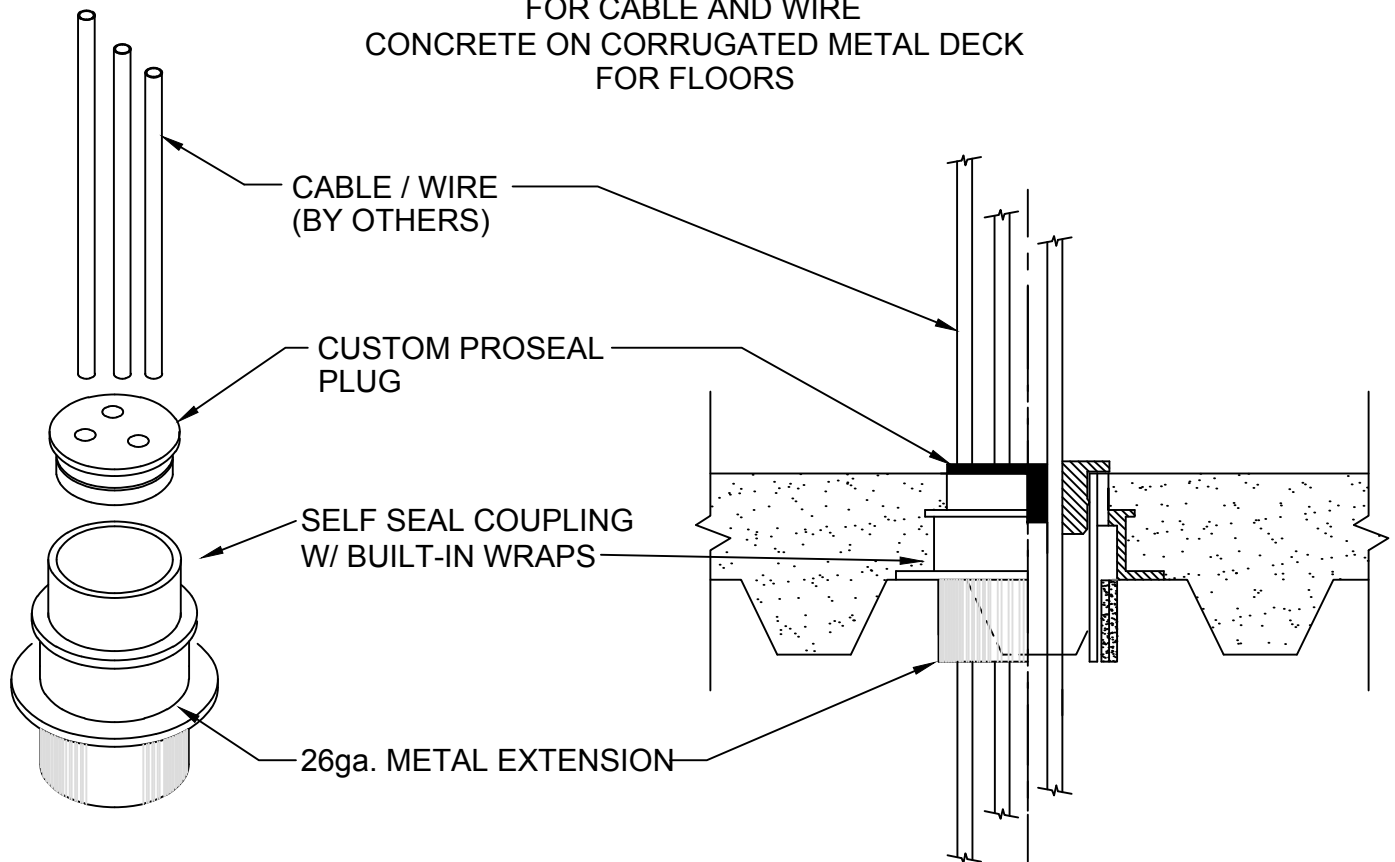


CAST IN PLACE PENETRATION

FOR CABLE AND WIRE
CONCRETE ON CORRUGATED METAL DECK
FOR FLOORS



IMPORTANT NOTES:

1. Cut hole through the corrugated metal deck to accommodate the 26 gauge metal extension to the bottom of the corrugations.
2. Mount the # 49 flange to the corrugated metal with sheet metal screws. If necessary use a right angle metal strip, S-34348, to span the corrugations.
3. After the pour, remove protective cap.
4. Insert pass through cable or wire up through sleeve coupling.
5. Drill holes in ProSeal Plug to accommodate cable or wire.
6. Install the custom split ProSeal Plug around cable or wire and insert into the top of the sleeve coupling.



W.H. Directory Reference 99 Edition
Firestop Device
W.H. Design No. PS/PH 120-14
F Rating 2 Hrs.



PROSET[®]
SYSTEMS
FIRESTOP PENETRATOR™

DATE :
12-12-19
DRG . NO .
E-1003-C