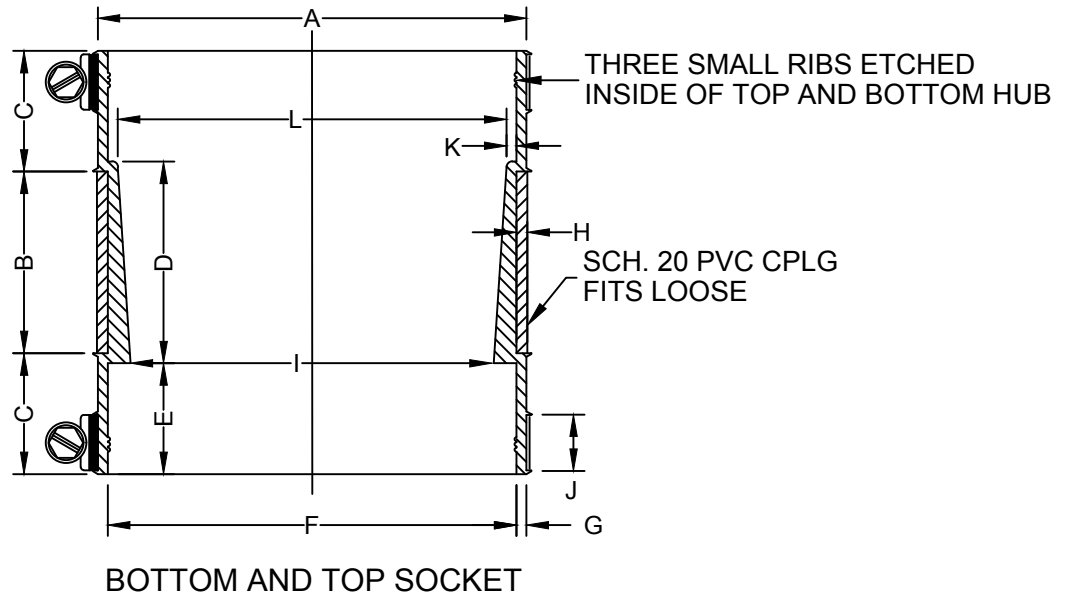


EZ Mechanical Flex Coupling

Tapered Flex Rubber Permits a Smooth Waste Water Flow

FLEXIBLE COUPLING
MATERIAL SANOPRENE
TM# 8211-45



Dimensions, in (mm)												
	A	B	C	D	E	F	G	H	I	J	K	L
3"	3.720 (94.49)	2.000 (50.80)	1.260 (32.00)	2.220 (56.39)	1.220 (30.99)	3.500 (88.90)	0.110 (2.79)	0.120 (3.05)	3.000 (76.20)	0.575 (14.60)	0.110 (2.79)	3.280 (83.31)
4"	4.720 (119.90)	2.000 (50.80)	1.260 (32.00)	2.220 (56.39)	1.220 (30.99)	4.500 (114.00)	0.110 (2.79)	0.120 (3.05)	4.000 (101.60)	0.575 (14.60)	0.110 (2.79)	4.280 (108.70)

EXPANSION / CONTRACTION

SPECIALLY MADE FOR PVC/ABS DWV PLUMBING STACKS

US PATENT NO. 9,982,823

