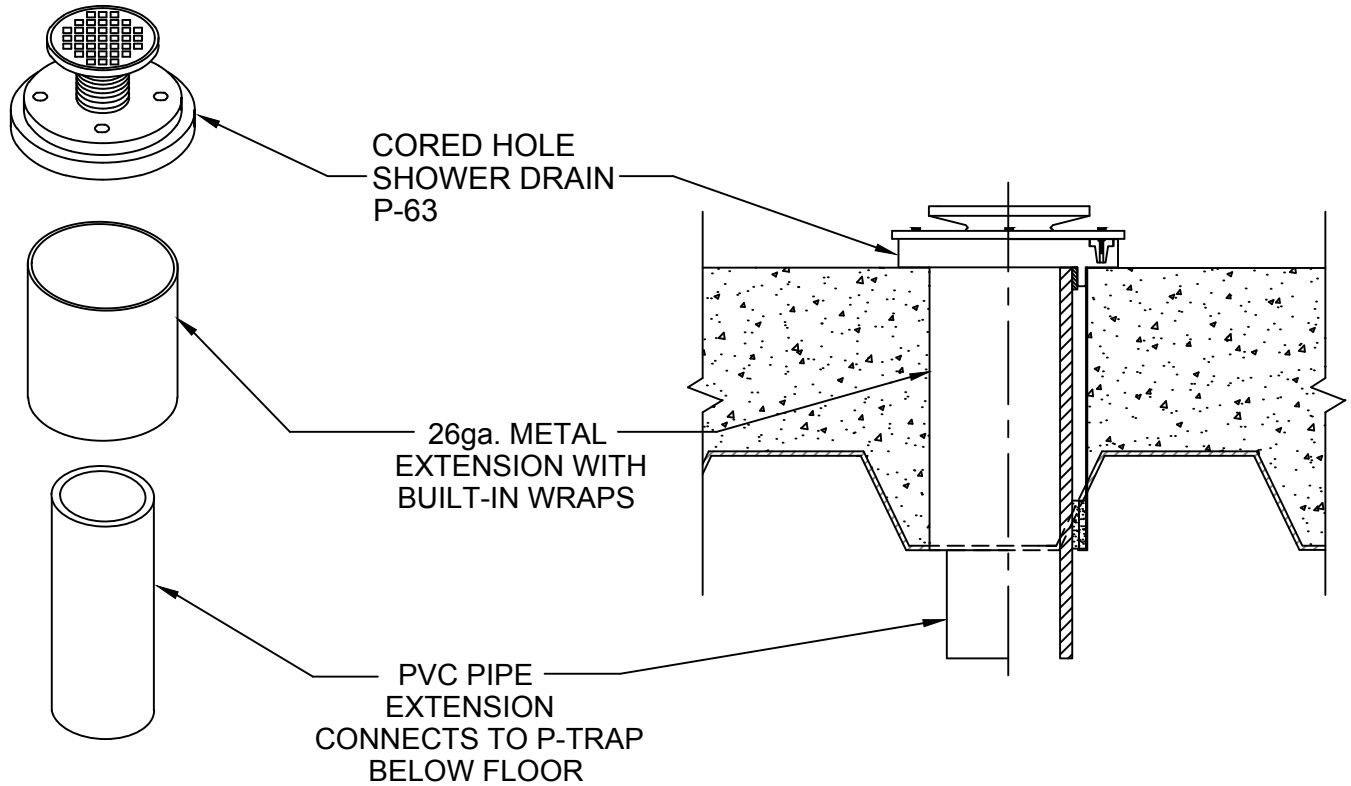


SHOWER/FLOOR DRAIN ASSEMBLY

CONCRETE ON CORRUGATED METAL DECK
FOR FLOORS



SEE COMPONENT DETAIL P-63 FOR VARIOUS SIZE STRAINER OPTIONS.
SEE DRAWING C-6330-A-B FOR CAST-IN PLACE & C-6330-C FOR METAL DECK.

Size	Part No.	Description	Price
2"	P2563H-CH-SSW	2" Cored Shower Drain w/ wrap	63.85
3"	P3563H-CH-SSW	3" Cored Shower Drain w/ wrap	81.50
4"	P4563H-CH-SSW	4" Cored Shower Drain w/ wrap	93.05

ABOVE DRAINS COME WITH 4-1/4" CHROME ROUND STRAINERS. CALL FACTORY FOR OTHER STRAINER OPTIONS.



W.H. Directory Reference 99 Edition
Firestop Device
W.H. Design No. PS/PH 120-07
F Rating 2 Hrs.



PROSET[®]
SYSTEMS
FIRESTOP PENETRATOR™

DATE :
05-31-21

DRG . NO .
C-6330-DCp