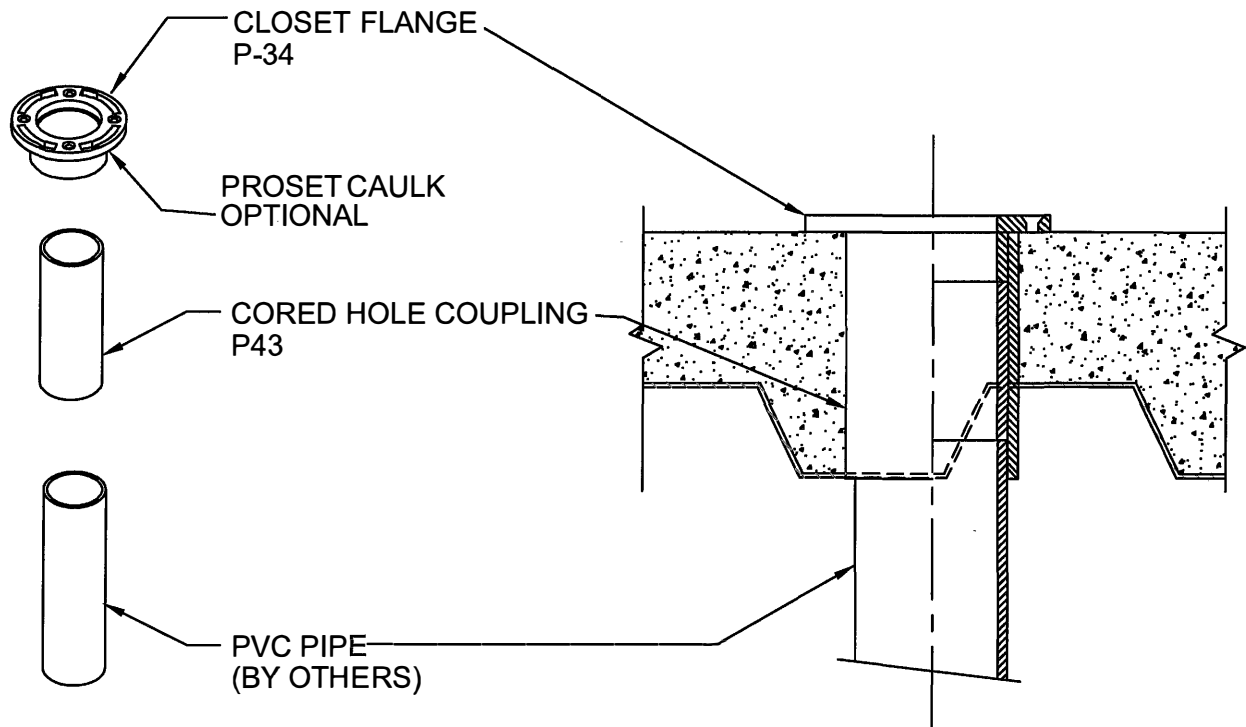


PROSEAL CLOSET ASSEMBLY

CONCRETE ON CORRUGATED METAL DECK FOR FLOORS



IMPORTANT NOTES :

1. Core a 4" hole for a 3" closet stub & a 5" hole for a 4" closet flange and stub .
2. Before inserting the stub into the hole install a bead of ProSet Caulk under the flange to waterproof.
3. Insert the closet flange into the hole and anchor the flange to the concrete floor.
4. After water test, knock out the test cap and set the water closet using a wax ring and closet bolts.



W.H. Directory Reference 01 Edition
Firestop Device
W.H. Design No. PS/PH 120-15
F Rating 2 & 3 Hrs.



PROSET[®]
SYSTEMS
FIRESTOP PENETRATOR™

DATE :
05-31-21
DRG . NO .
C-3401-DC