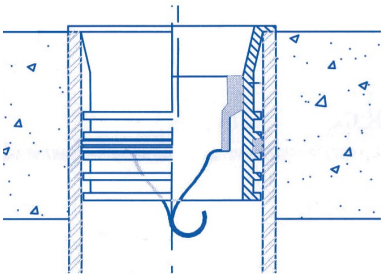


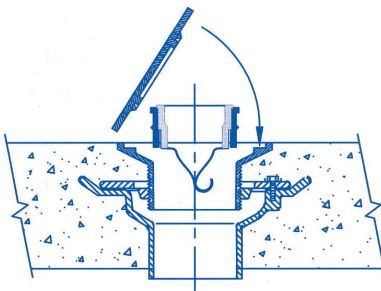
PART NO.	TRAPGUARD DESCRIPTION	CTN. QTY.	PRICE
TG15P	1-1/2" TG Fits inside 1-1/2" PVC Pipe	12	\$ 40.50
SG22IP	2" Suds Guard Fits inside 2" PVC or C.I. Pipe	12	\$ 40.50
TG22P	2" TG Fits inside 2" PVC Pipe	12	\$ 40.50
TG22IP	2" TG Fits inside 2" C.I. Pipe	12	\$ 40.50
TG22G	2" TG Fits through a 2" gasket to inside pipe	12	\$ 40.50
TG22SC	2" TG Fits into 842-2 Sioux Chief tailpiece	12	\$ 40.50
TG33IP	3" Suds Guard Fits inside 3" PVC or C.I. Pipe	12	\$ 45.50
TG33G	3" TG Fits through a 3" gasket to inside pipe	12	\$ 45.50
TG33SC	3" TG Fits into 842-3 Sioux Chief tailpiece	12	\$ 45.50
TG34G	3" TG Fits through a 4" gasket to inside pipe	12	\$ 45.50

- To make a watertight seal, use an adhesive tape caulk around the bottom of the top flange and then insert Retrofit Trap Guard into the 2" or 3" pipe or tailpiece.



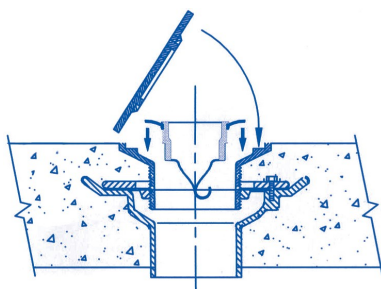
PART NO.	TRAPGUARD DESCRIPTION	CTN. QTY.	PRICE
TG34IP	3" TG Fits inside 4" PVC or C.I. Pipe	12	\$ 59.00

- The diameter of the PVD insert is adjustable. Put the L-Ring in the groove that gives the best fit. The bottom groove ID is 4.09" while the top groove ID is 3.84".



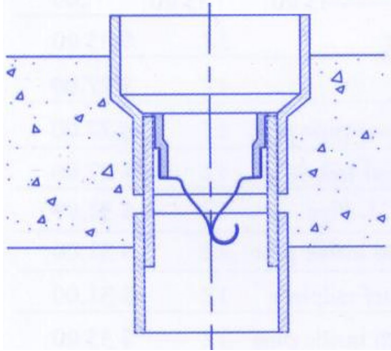
PART NO.	TRAPGUARD DESCRIPTION	CTN. QTY.	PRICE
TG3H	3" TG Fits inside Smith 2000 and Josam 3000	12	\$ 54.00
TG34HM	3" TG Fits inside Mifab Tailpiece	12	\$ 56.50
TG34HW	3" TG Fits inside Watts Tailpiece	12	\$ 56.50
TG34SC	3" TG Fits into 842-4 Sioux Chief tailpiece	12	\$ 56.50

- All of the above are pressed to fit into the tailpiece of the drain.



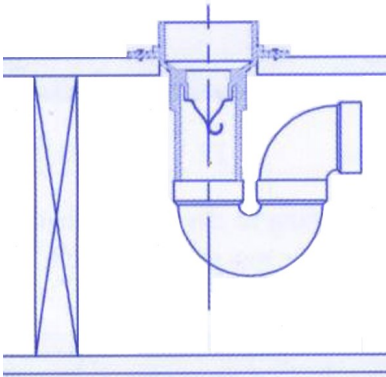
PART NO.	TRAPGUARD DESCRIPTION	CTN. QTY.	PRICE
TG33Zurn	3" TG Fits inside Z415 Tailpiece	12	\$ 51.00
TG33Wade	3" TG Fits inside Wade Tailpiece	12	\$ 47.00
TG34TP	3" TG Fits inside 4" strainer tailpiece	12	\$ 52.00

- Use an adhesive type caulk around the bottom of the flange to seal



PART NO.	TRAPGUARD DESCRIPTION	CTN. QTY.	PRICE
TG23HD	2" X 3" TG Underground Hub Drain	6	\$ 51.15
TG24HD	2" X 4" TG Underground Hub Drain	6	\$ 57.75
TG34HD	3" X 4" TG Underground Hub Drain	6	\$ 62.15
TG23HD-CI	For Cast Iron connections, add CI to part no.	Add \$	5.00
TG23HD-RS	For recessed strainer 1-1/4", add RS to part no.	Add \$	4.75

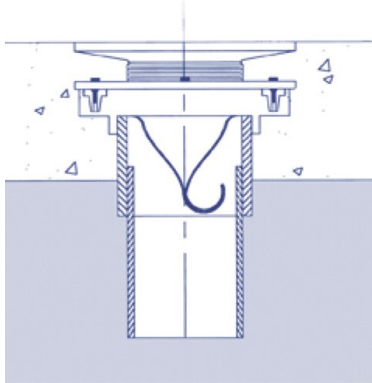
- The underground Hub Drains, above, are usually used for AC condensate drains and water heater relief valve drains. They come with a concrete protective cap.



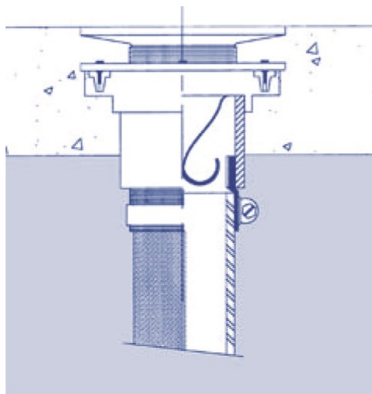
PART NO.	TRAPGUARD DESCRIPTION	CTN. QTY.	PRICE
TG23FHD	2" X 3" TG Above Ground Hub Drain	12	\$ 57.75
TG23FHDS	Same as above with strainer	12	\$ 62.15
TG24FHD	2" X 4" TG Above Ground Hub Drain	12	\$ 66.00
TG24FHDS	Same as above with strainer	12	\$ 71.50
TG23FBHD	2" X 3" TG Above Ground bottom mount Hub Drain	12	\$ 57.75
TG23FBHDS	Same as above with flush strainer	12	\$ 62.15

- For recessed strainer add RS instead of S. e.g. TG23FHDRS
- The above Ground Hub Drains have a flange with holes for securing and waterproofing the drain through a wood floor. Use an adhesive caulk under the flange to waterproof.
- Both of the above drains have a built-in Trap Guard and come with a 10-year limited warranty. Other Drains are available for above ground concrete floors.

NOTE: A special Puller Tool is available for replacing the Trap Guard device \$ 65.00



Connect to plastic pipe in ground floor slab



Connect to cast iron pipe in ground floor

PART NO.	TRAPGUARD DESCRIPTION	CTN. QTY.	PRICE
T25630-F-P	2" Adj. NB ED w/ PVC plastic hub joint	6	\$ 135.85
T35630-F-P	3" Adj. NB ED w/ PVC plastic hub joint	6	\$ 140.25
T45630-F-P	4" Adj. NB ED w/ PVC plastic hub joint	6	\$ 143.00

- All above Trap Guard drains have 5" Nickel Bronze round tops

T35630-F-P-CP	Add CP to part no. for 5" chrome strainer and tailpiece		N.C.
T35630-F-P-PB	Add PB to part no. for 5" brass strainer and tailpiece		N.C.
T35630-F-P-SQ	Add SQ to part no. for 5" square strainer		Add \$ 6.75
T35630-F-P-FU	Add FU for 2-3/8"X3-1/2" funnel top drain		Add \$ 33.75

- Above square drain is Nickel Bronze—For Chrome or Brass add CP or PB
- All above drain numbers are for 3". For 2" or 4", change the first number to 2 or 4

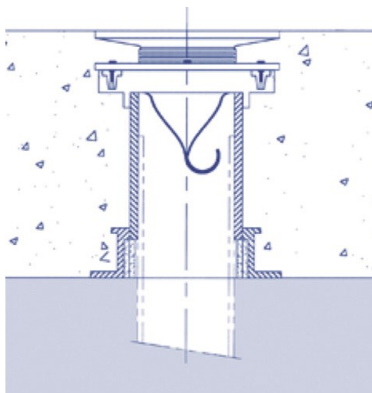
PART NO.	TRAPGUARD DESCRIPTION	CTN. QTY.	PRICE
T25630-F-CI	2" Adj. NB ED w/ mechanical hub joint for C.I.	6	\$ 140.25
T35630-F-CI	3" Adj. NB ED w/ mechanical hub joint for C.I.	6	\$ 145.50
T45630-F-CI	4" Adj. NB ED w/ mechanical hub joint for C.I.	6	\$149.60

- All above Trap Guard drains have 5" Nickel Bronze round tops

T35630-F-CI-CP	Add CP to part no. for 5" chrome strainer and tailpiece		N.C.
T35630-F-CI-PB	Add PB to part no. for 5" brass strainer and tailpiece		N.C.
T35630-F-CI-SQ	Add SQ to part no. for 5" square strainer		Add \$ 6.75
T35630-F-CI-FU	Add FU for 2-3/8"X3-1/2" funnel top drain		Add \$ 33.75

- Above square drain is Nickel Bronze—For Chrome or Brass add CP or PB
- All above drain numbers are for 3". For 2" or 4", change the first number to 2 or 4

Above Ground Floor Drains



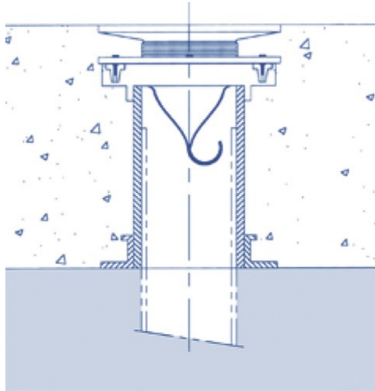
Connect to plastic pipe above ground floor slab

PART NO.	TRAPGUARD DESCRIPTION	CTN. QTY.	PRICE
T2563H-F-SSW	2" Adj. NB ED for plastic pipe above ground floor	6	\$152.250
T3563H-F-SSW	3" Adj. NB ED for plastic pipe above ground floor	6	\$176.00
T4563H-F-SSW	4" Adj. NB ED for plastic pipe above ground floor	6	\$195.25

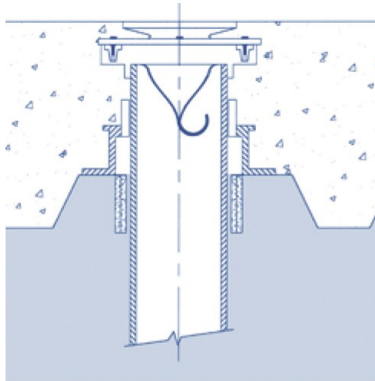
- H = pour depth of floor—Change the H in the part number to the pour height. e.g. H = 6"
- All above Trap Guard drains have 5" Nickel Bronze round tops

T3563H-F-SSW-CP	Add CP to part no. for 5" chrome strainer and tailpiece		N.C.
T3563H-F-SSW-PB	Add PB to part no. for 5" brass strainer and tailpiece		N.C.
T3563H-F-SSW-SQ	Add SQ to part no. for 5" square strainer		Add \$ 6.75
T3563H-F-SSW-FU	Add FU for 2-3/8"X3-1/2" funnel top drain		Add \$33.75

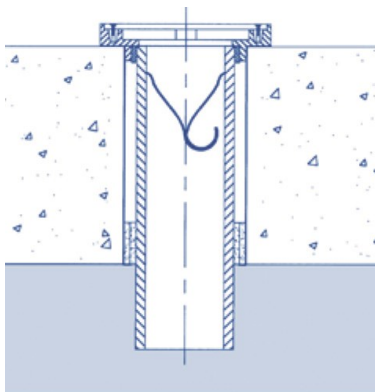
- Above square drain is Nickel Bronze—For Chrome or Brass add CP or PB
- All above drain numbers are for 3". For 2" or 4", change the first number to 2 or 4



Connect to cast iron pipe above ground floor slab



Connect to plastic pipe in metal deck floor slab



Connect to plastic pipe through cored floor slab

PART NO.	TRAPGUARD DESCRIPTION	CTN. QTY.	PRICE
T2563H-F-CI	2" Adj. NB ED for C.I. pipe above ground floor	6	\$ 143.00
T3563H-F-CI	3" Adj. NB ED for C.I. pipe above ground floor	6	\$157.30
T4563H-F-CI	4" Adj. NB ED for C.I. pipe above ground floor	6	\$164.45
T3563H-F-CI-CP	Add CP to part no. for 5" chrome strainer and tailpiece		N.C.
T3563H-F-CI-PB	Add PB to part no. for 5" brass strainer and tailpiece		N.C.
T3563H-F-CI-SQ	Add SQ to part no. for 5" square strainer		Add \$ 6.75
T3563H-F-CI-FU	Add FU for 2-3/8"X3-1/2" funnel top drain		Add \$33.75

- H = pour depth of floor—Change the H in the part number to the pour height. e.g. H = 6"
- **All above Trap Guard drains have 5" Nickel Bronze round tops**

PART NO.	TRAPGUARD DESCRIPTION	CTN. QTY.	PRICE
T2563H-F-SSW-CM	2" Adj. NB ED for plastic in corrugated metal floor	6	\$152.35
T3563H-F-SSW-CM	3" Adj. NB ED for plastic in corrugated metal floor	6	\$176.00
T4563H-F-SSW-CM	4" Adj. NB ED for plastic in corrugated metal floor	6	\$195.25
T3563H-F-SSW-CM-CP	Add CP to part no. for 5" chrome strainer and tailpiece		N.C.
T3563H-F-SSW-CM-PB	Add PB to part no. for 5" brass strainer and tailpiece		N.C.
T3563H-F-SSW-CM-SQ	Add SQ to part no. for 5" square strainer		Add \$ 6.75
T3563H-F-SSW-CM-FU	Add FU for 2-3/8"X3-1/2" funnel top drain		Add \$33.75

- H = pour depth of floor—Change the H in the part number to the pour height—e.g. H = 6"
- **All above Trap Guard drains have 5" Nickel Bronze round tops**

PART NO.	TRAPGUARD DESCRIPTION	CTN. QTY.	PRICE
T2563H-F-SSW-CH	2" Adj. NB ED for plastic pipe through cored hole	6	\$ 132.55
T3563H-F-SSW-CH	3" Adj. NB ED for plastic pipe through cored hole	6	\$152.35
T4563H-F-SSW-CH	4" Adj. NB ED for plastic pipe through cored hole	6	\$168.85
T3563H-F-SSW-CH-CP	Add CP to part no. for 5" chrome strainer and tailpiece		N.C.
T3563H-F-SSW-CH-PB	Add PB to part no. for 5" brass strainer and tailpiece		N.C.
T3563H-F-SSW-CH-SQ	Add SQ to part no. for 5" square strainer		N.A
T3563H-F-SSW-CH-FU	Add FU for 2-3/8"X3-1/2" funnel top drain		Add \$33.75

- H = pour depth of floor—Change the H in the part number to the pour height—e.g. H = 6"
- **All above Trap Guard drains have 5" Nickel Bronze round tops**

- **All above drain numbers are for 3". For 2" or 4", change the first number to 2 or 4**

