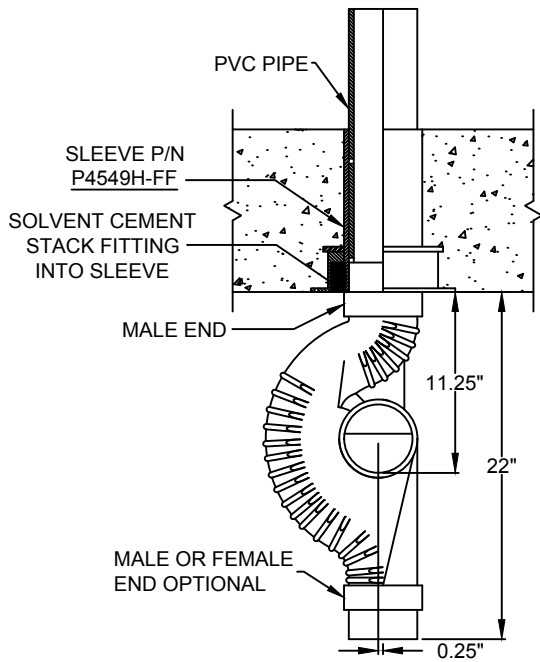
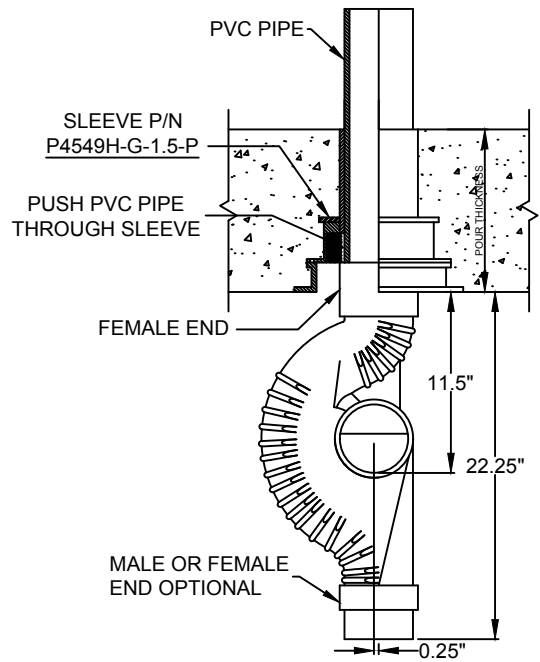


SLEEVE ASSEMBLY FOR FLUSH & RECESSED 4" STACK FITTING

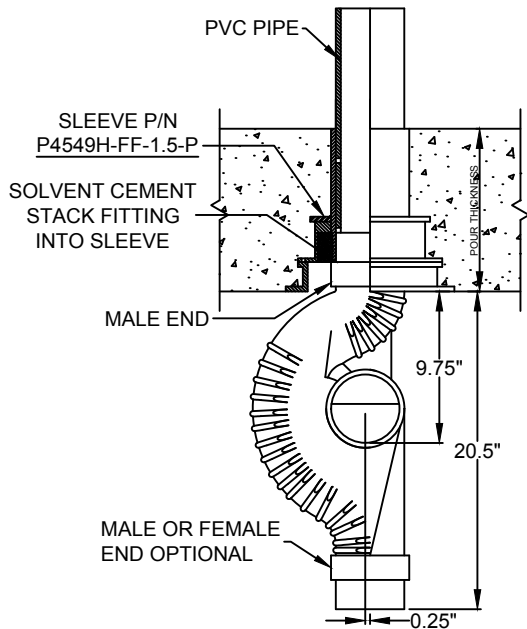
4" PROSET FIRE RATED PENETRATIONS THROUGH CONCRETE FLOORS



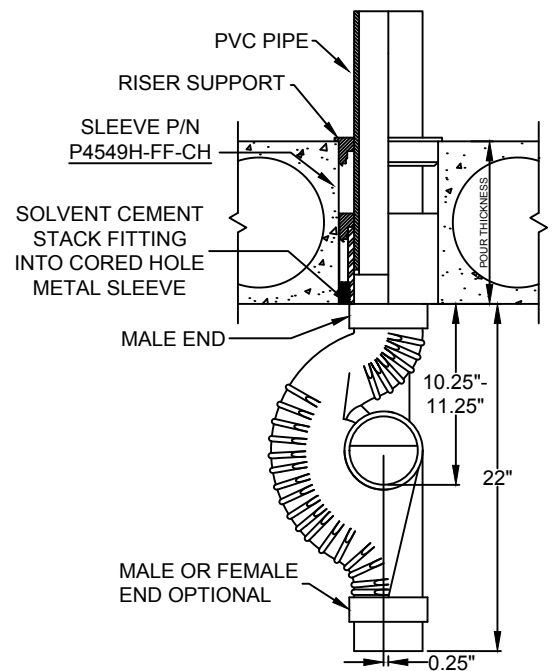
P4549H-FF \$36.30
4" Stack Top is Male



P4549H-G-1.5-P \$48.40
4" Stack Top is Female



P4549H-FF-1.5-P \$48.40
4" Stack Top is Male



P4549H-FF-CH \$42.35
4" Stack Top is Male

REDUCE INVERT ELEVATION BY $\frac{1}{2}$ " FOR 3" BRANCH



W.H. Directory Reference 00 Edition
Firestop Device
W.H. Design No. PS/PHV 180-03
F Rating 3 Hrs.



PROSET[®]
SYSTEMS
FIRESTOP PENETRATOR™

DATE :
5-31-21

DRG . NO .
C-9049-4FFR