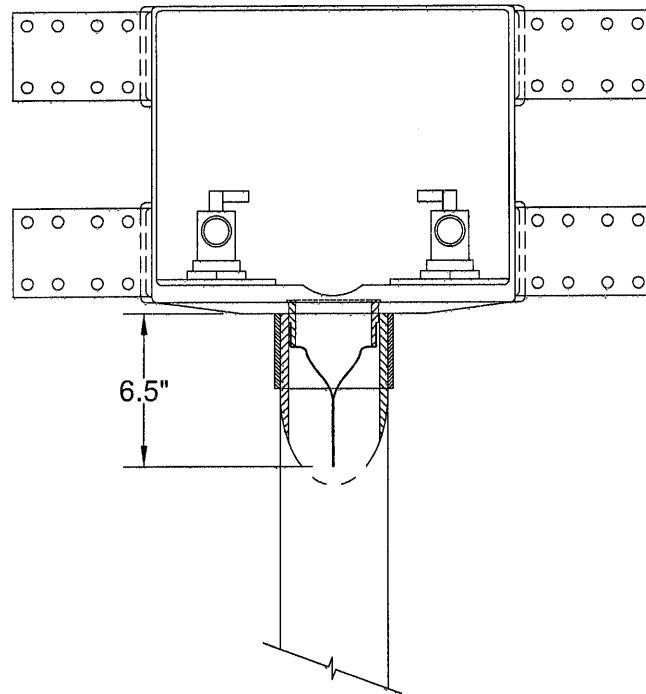


# SUDS GUARD DEVICE FOR WASHER BOX

PREVENTS SUDS BACK UPS  
FOR WASHING MACHINE OPENINGS



## IMPORTANT NOTES :

1. The Suds Guard is 7" long and fits inside a 2" pipe.
2. Install a bead of adhesive Caulk around the bottom of flange to seal the device.
3. Press the Suds Guard device into the standpipe to waterproof.
4. Make sure the bottom of the Suds Guard does not extend into the water seal of the trap.
5. The discharge hose from the washer should insert into the top portion of the Suds Guard.

Important: Use ProSet's Fire Rated Washer Box when installed in a fire rated wall.  
(See Ratings Below)



W.H. Directory Reference 05 Edition  
Firestop Device  
W.H. Design No. PS/PV 120-08  
F Rating 1 Hr. or 2 Hrs. Walls



**PROSET**<sup>®</sup>  
**SYSTEMS**  
FIRESTOP PENETRATOR™

DATE :  
5-31-21  
DRG. NO.  
C-8120-F