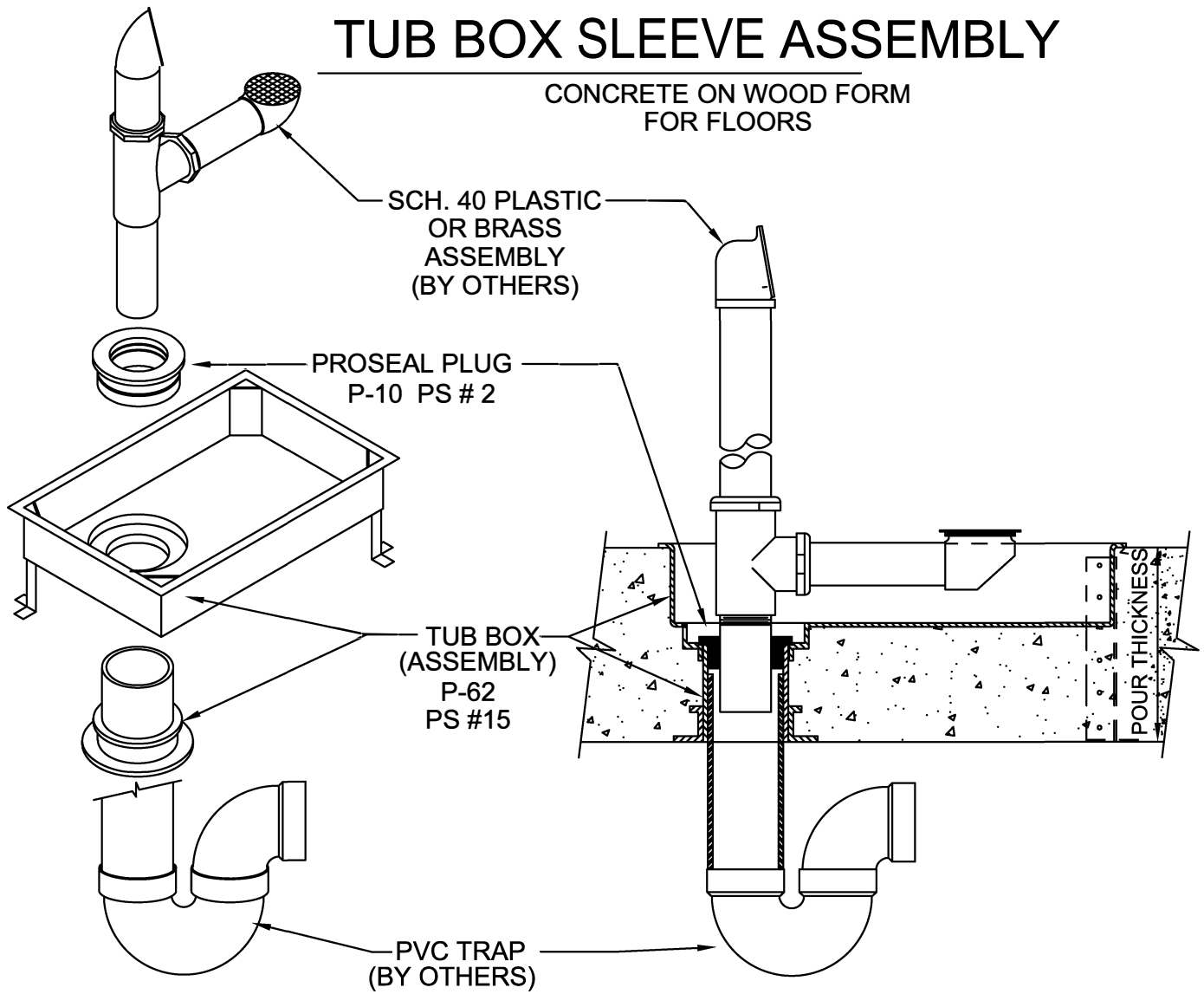


TUB BOX SLEEVE ASSEMBLY

CONCRETE ON WOOD FORM
FOR FLOORS



Size	Part No.	Description	Price	Unit Total
2"	P2562H	2" Tub Box assembly	19.45	22.40
2"	P2562H-1EF	2" Tub Box W/1" Extra Foam	20.80	23.75
2"	C25661 or C25662	Bushing 1 1/2" pipe or tube	2.95	



W.H. Directory Reference 04 Edition
Firestop Device
W.H. Design No. PS/PH 120-17
F Rating 2 Hrs.



PROSET[®]
SYSTEMS
FIRESTOP PENETRATOR™

DATE :
5-31-21
DRG . NO .
C-6212-Ap